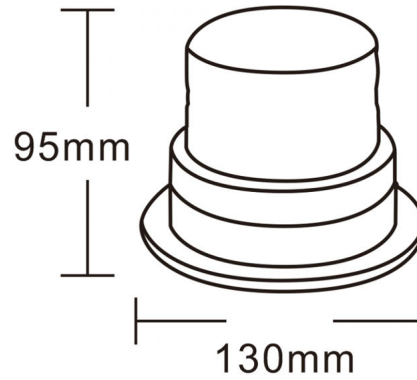
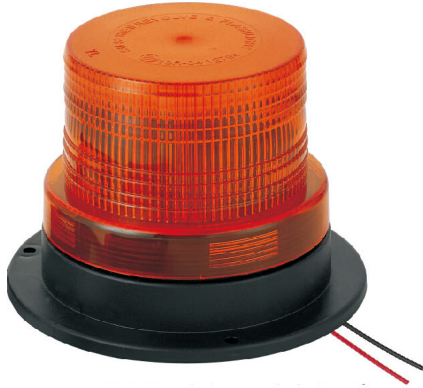


FLT 278 BEACON

(VSWD-FLT278-3-A)



| Product Code | Dimensions(mm) | Net Weight (KG) |
|-----------------|----------------|-----------------|
| VSWD-FLT278-3-A | 130x130x95 | 0.28 |

TECHNICAL SPECIFICATIONS

| | |
|-------------------|------------|
| Operating Voltage | 10-110v |
| Approval | ECE R10 |
| IP Rating | IP65 |
| Base Types | 3 Bolt |
| Light Colour | Amber |
| Output | 20 SMD |
| No Flash Pattern | Quad Flash |
| Warranty (Years) | 2 |
| Master Carton Qty | 20 |

0113 4575540
SALES@VSWD-LTD.CO.UK

