

DIRECTIONALS



ED3801 & ED3802 SERIES

Single- or Dual-Colour Surface Mount

ED3801 and ED3802 directional LEDs are bright and versatile warning lights suited to a wide variety of applications. Their ultra-low profile makes them easy to install virtually anywhere on a vehicle and are 25% thinner than previous models. All models offer wide angle optics and multiple flash patterns, including synchronisation with other units for simultaneous or alternating operation. Each LED colour can be controlled independently.

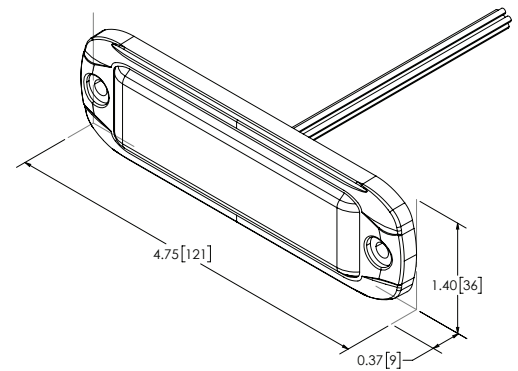
Models

PART NO.	TYPE	ILLUMINATION COLOUR OPTIONS	AMPS
ED3801X	Single	■ A ■ G	0.76
ED3802XX	Dual	■ AW	0.73

Replace "X" in part number with desired colour: A=amber, G=green, W=white

Design Features

- 12-24 VDC
- 25% thinner than previous models
- High-intensity LEDs provide exceptional warning
- Ultra low-profile surface mount
- Able to synchronise with other directionals
- Die-cast base with polycarbonate lens
- Temperature Range: -22°F to +122°F (-30°C to +50°C)



Measurements in inches (millimetres)

+44 (0)113 237 5340 | sales@eccogroup.com