

NEW STYLE *SCANIA VISOR LAMP

PART NO.: 1001-3170-A

PART NO.: 1001-3170-C

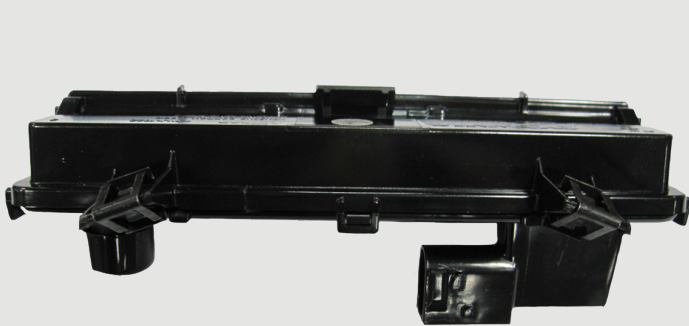


www.boremanltd.com



Product Features:

- New Style *Scania Visor Lamp for Next Gen Series
- Direct replacement for original
- High quality LED's
- Dual Voltage: 12V & 24V
- Lens Material: Polycarbonate
- IP68: Dust and Water Resistant
- ECE R7/R10
- Part No.: 1001-3170-A - O/E Reference: 2252794
- Part No.: 1001-3170-C - O/E Reference: 2252783
- RoHS Compliant
- 1 Year Warranty
- Available in Amber or Clear



Information:



Part No.:	Description:	Colour:	Voltage Supply:	Lens Material:	Warranty:
1001-3170-A	Visor Lamp	Amber	12V & 24V	Polycarbonate	1 Year
1001-3170-C		Clear	Dual Voltage		

*SCANIA is a registered trademark. Any use of the word SCANIA in Boreman literature or packaging is for reference purposes only

Available from your nearest dealer

www.boremanltd.com | info@boremanltd.com | Tel: +353 49 4367049



NEW STYLE *SCANIA VISOR LAMP

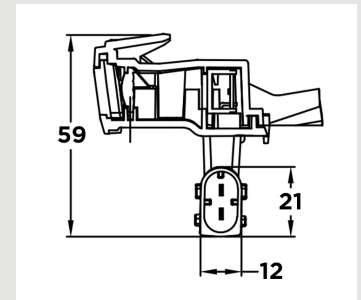
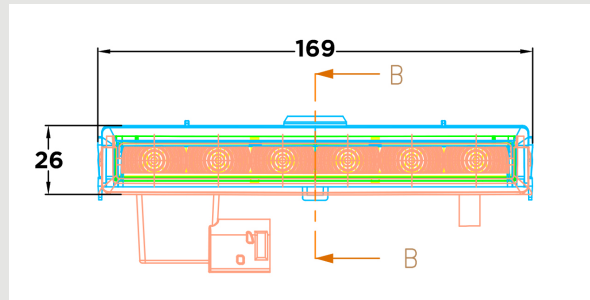
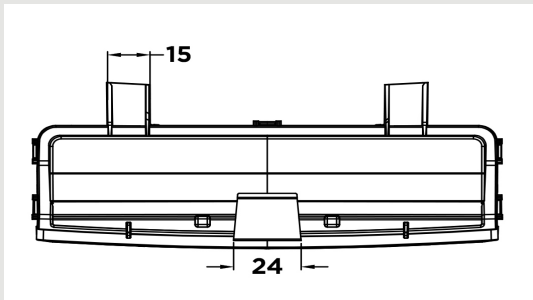
PART NO.: 1001-3170-A

PART NO.: 1001-3170-C



www.boremanltd.com

Dimensions:



Connector for
New Style *Scania Visor Lamp
Part No.: 1001-3177

