

ACCELERATOR

4 x FUNCTION FULL LED LAMP

INCLUDES AMBER POSITION LIGHT, CLEAR POSITION LIGHT
AND AMBER STROBE WARNING LIGHT

PART NO.: 1001-2040



www.boremanltd.com

Product Features:

- 4 x Function Full LED Lamp: Full Beam, Amber Position, Clear Position, Amber Strobe Warning Light
- LED Power: Driving Light: 141W | Warning Light 4.68W | Position Light: 4.68W
- LED Quantity: Driving Light: 30pcs | Warning Light: 24pcs | Position Light: 24pcs
- With Sync Function
- Voltage: 10-30V
- Lumens: 10,000lm
- Beam Pattern: Driving and Position Light
- Current Draw: 11.38amps@12V & 6.1amps@24V
- Housing Material: Die Cast Aluminium
- Mounting Bracket: Stainless Steel
- Working Temperature Range: -40°C ~ +50°C
- Lens Material: Polycarbonate
- ECE R10/R112/R7
- RoHS Compliant
- IP Rating: IP67
- Connection Method: Deutsch
- Weight: 3.3kg
- Life Span: 30,000 Hours
- 3 Year Warranty



Mounting Bracket: Stainless Steel



Information:



Part No.:	Description:	Position Light:	Supply:	Mounting Bracket:	Lumens:	Life Span:
1001-2040	Accelerator 4x Function Full LED Lamp	Amber & Clear	10-30V	Stainless Steel	10,000	30,000



Available from your nearest dealer

www.boremanltd.com | info@boremanltd.com | Tel: +353 49 4367049

ACCELERATOR

4 x FUNCTION FULL LED LAMP

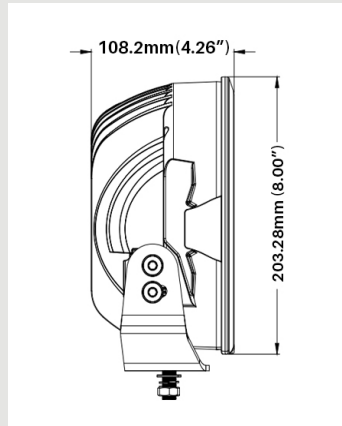
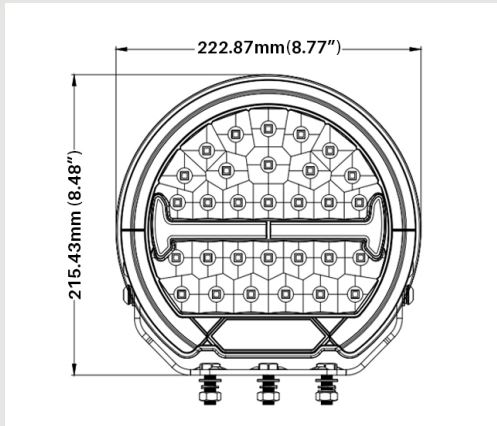
INCLUDES AMBER POSITION LIGHT, CLEAR POSITION LIGHT
AND AMBER STROBE WARNING LIGHT

PART NO.: 1001-2040

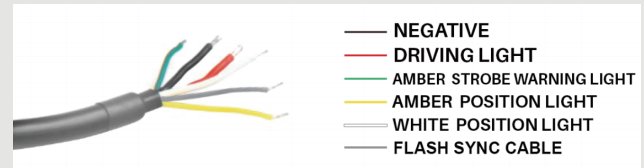


www.boremanltd.com

Dimensions:



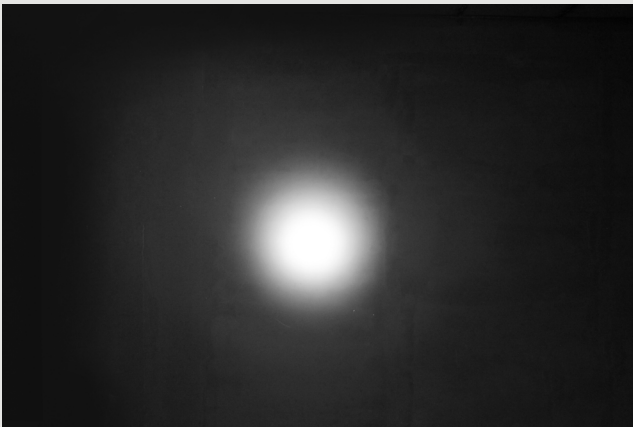
Wiring Protocol:



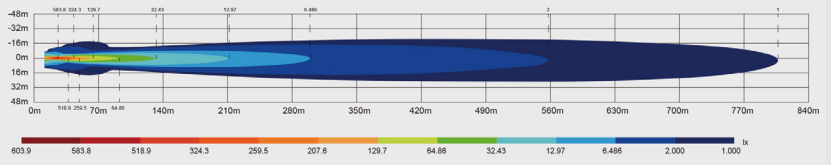
Connection Method:



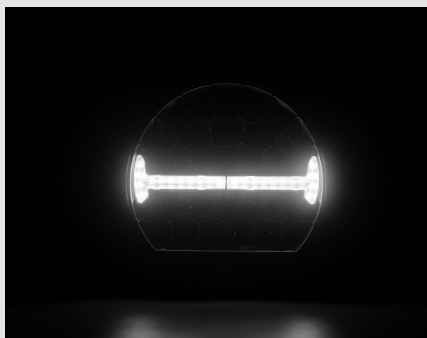
Beam Pattern:



The irradiation distance of single lamps reaches 800 meters



Amber Position Light



Clear Position Light

