

ROUND LED SPOT LAMP WITH AMBER OR CLEAR POSITION LIGHT

PART NO.: 1001-1620



www.boremanltd.com



Product Features:

- 12 x 10 Watt High Intensity Cree LED's (120 Watt)
- Volts: 9-36V
- Colour Temperature: 6500K
- Dual Voltage: 12V & 24V
- Lumens: 12000lm
- Housing: Powder Coated Die Cast Aluminium
- Lens Material: Polycarbonate
- IP68K: High Pressure Water Spray Resistant
- Stainless Steel Mounting Bracket
- Low Profile (50mm)
- Electronic Thermal Management (ETM)
- Anti Rust/Corrosion/Freezing Resistance
- Connector: DT Connector
- ECE R112/R10/R7
- Temperature Range:-40°C ~+60°C
- Current Draw: 7.7amps@12v & 3.6amps@24 volts
- Life Span: 50,000+ hours
- 2 Year Warranty
- Weight: 1.9kg



Amber Position Light



Clear Position Light

Information:



Part No.:	Beam Pattern:	Position Light:	Supply:	Mounting Bracket:	Lumens:	Life Span:
1001-1620	Driving Light	Amber/Clear	12V & 24V Dual Voltage	Stainless Steel	12,000	50,000+ Hours



Available from your nearest dealer

www.boremanltd.com | info@boremanltd.com | Tel: +353 49 4367049

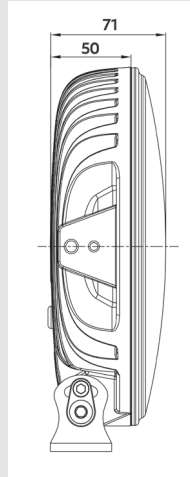
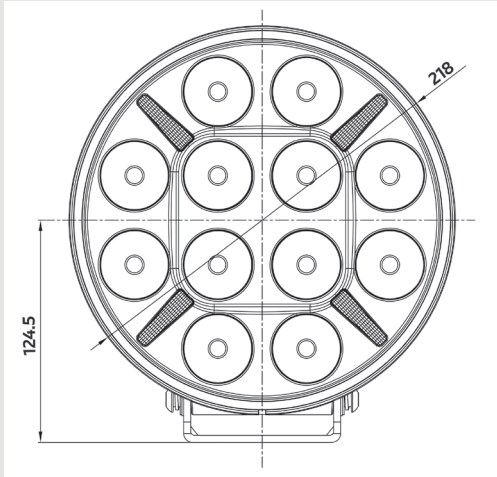
ROUND LED SPOT LAMP WITH AMBER OR CLEAR POSITION LIGHT

PART NO.: 1001-1620

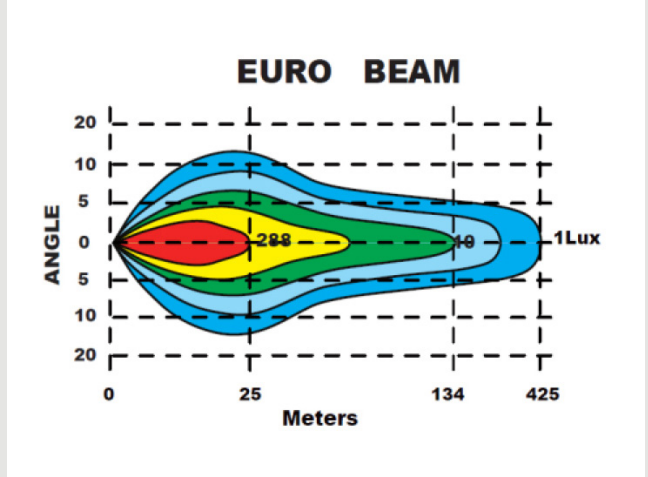


www.boremanltd.com

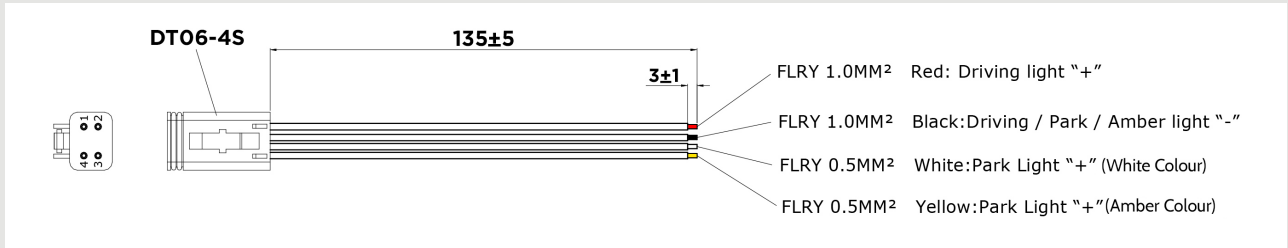
Dimensions:



Beam Pattern:



Wiring Protocol:



Stainless Steel Mounting Bracket



Back View

Super Thin



Side View

