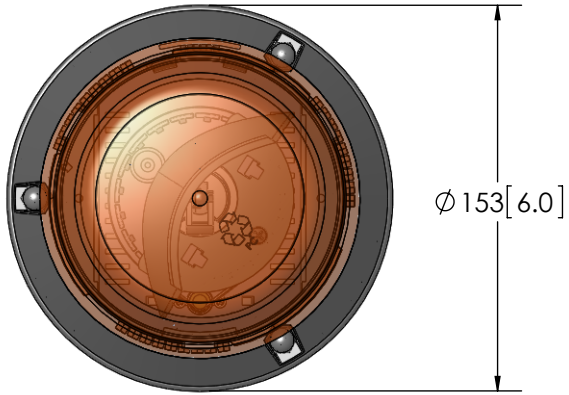
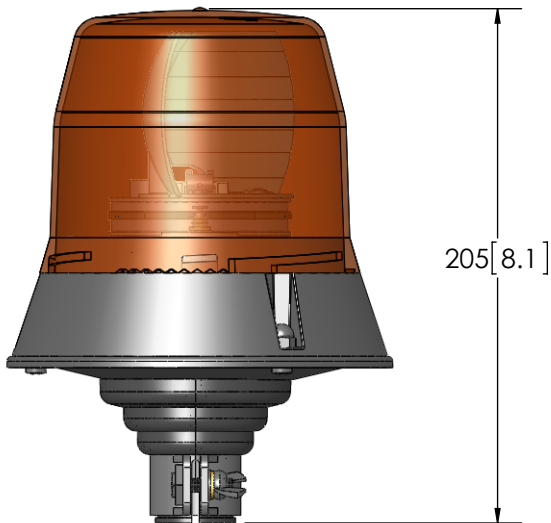


# CUSTOMER COPY

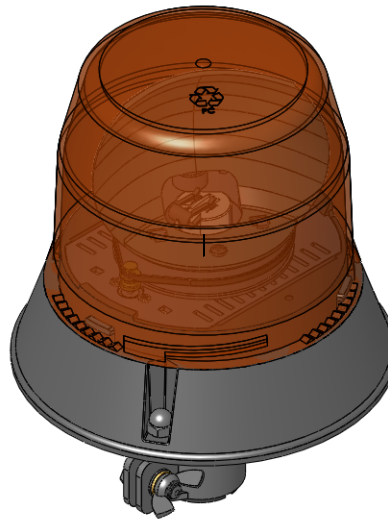
REVISION HISTORY		
REV.	DESCRIPTION	DATE
01	PRELIMINARY RELEASE PER V13023	2014-10-08
A	INITIAL RELEASE PER V13023	2014-12-01



**TOP VIEW**



**FRONT VIEW**


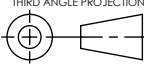


**ISOMETRIC VIEW**

## SPECIFICATIONS

1. CERTIFICATIONS; R10 & R65 APPROVED
2. FLASH MODE: MAXIMUM 160 FPM
3. VOLTAGE (NOMINAL): 12/24 VDC
4. CURRENT (MAXIMUM): 4.58A @12V / 2.92A @24V
5. CONNECTION: 14 OR 16 AWG WIRES IN A CABLE
6. MOUNTING: POLE MOUNT
7. BASE MATERIAL: POLYCARBONATE
8. LENS MATERIAL: POLYCARBONATE

- NOTES:  
 1. DIMENSIONS IN MILLIMETERS [INCHES (FOR REFERENCE)]  
 2. USE SUB ASSEMBLY (100-402.000) FOR MANUFACTURE

SCALE 1:3		APPROVALS	DATE	 European Division +44 (0) 113 237 5340 Victoria Industrial Park, Victoria Road, Seacroft, Leeds LS14 2LA Tel: +44 (0) 113 237 5340 Fax: +44 (0) 113 237 5360 www.eccogroup.com											
CAD GENERATED DRAWING DO NOT MANUALLY UPDATE. MODEL REFERENCED:01		DRAWN BY LSH	2014-10-08												
TOLERANCES ARE IN INCHES, AND MILLIMETERS TOLERANCES ARE:		CHECKED MDG	2014-10-10												
<table border="1"> <tr> <th>MILLIMETERS DECIMALS</th> <th>INCHES DECIMALS</th> <th>ANGLES</th> </tr> <tr> <td>XX. ± 1.0mm</td> <td>X.X ± 0.1</td> <td>± 0.5°</td> </tr> <tr> <td>XX.X ± 0.5mm</td> <td>X.XX ± 0.04</td> <td>FRACTIONS</td> </tr> <tr> <td></td> <td>X.XXX ± 0.02</td> <td>± 1/64</td> </tr> </table>		MILLIMETERS DECIMALS	INCHES DECIMALS		ANGLES	XX. ± 1.0mm	X.X ± 0.1	± 0.5°	XX.X ± 0.5mm	X.XX ± 0.04	FRACTIONS		X.XXX ± 0.02	± 1/64	MECH. ENG. CCM
MILLIMETERS DECIMALS	INCHES DECIMALS	ANGLES													
XX. ± 1.0mm	X.X ± 0.1	± 0.5°													
XX.X ± 0.5mm	X.XX ± 0.04	FRACTIONS													
	X.XXX ± 0.02	± 1/64													
		ELEC. ENG. ALM	2014-10-10												
		TEST ENG. ALM	2014-10-10												
		SALES. JSM	2014-11-27												
<b>BEACON, 400, POLE MOUNT, AMBER, LB</b> CUSTOMER PART NO. 402.000 PRODUCT SERIES: 400 Series Beacon															
THIRD ANGLE PROJECTION 		SIZE: A DWG. NO. 402.000 Project: V13023	SHEET 1 OF 1 Date Created: 2014-10-08	REV. A											

NON DISCLOSURE AGREEMENT

THIS DRAWING AND THE DESIGN IT DISCLOSES ARE THE PRIVATE PROPERTY OF ECCO AND IS ISSUED IN CONFIDENCE FOR ENGINEERING INFORMATION ONLY. THE DRAWING AND / OR DESIGN MAY NOT BE USED, COPIED, REPRODUCED, OR OTHERWISE DISCLOSED IN PART OR AS A WHOLE TO OUTSIDERS OR USED FOR ANY OTHER PURPOSE WITHOUT THE PRIOR WRITTEN CONSENT OF ECCO. THE DRAWING IS SUBJECT TO RECALL AT ANY TIME. YOUR POSSESSION OF THIS DOCUMENT CONSTITUTES ACCEPTANCE OF THESE TERMS. © 2013 ECCO

Electronically Controlled Use Latest Copy