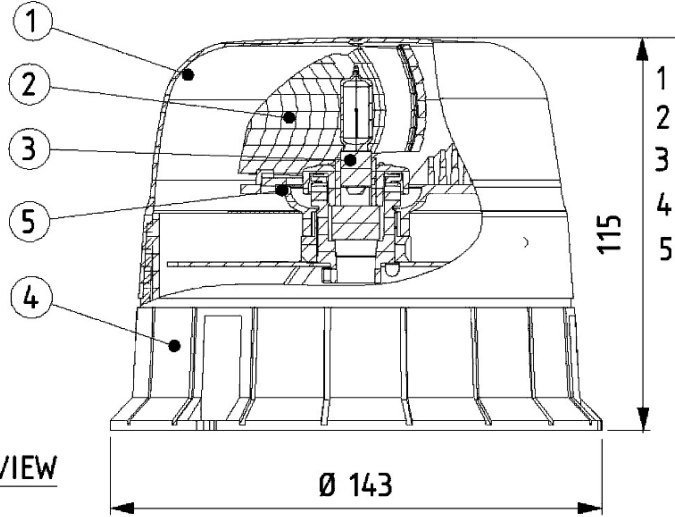


REVISION HISTORY		
REV.	DESCRIPTION	DATE
A	PRODUCTION RELEASE AS PER P3#12001	05-10-2012

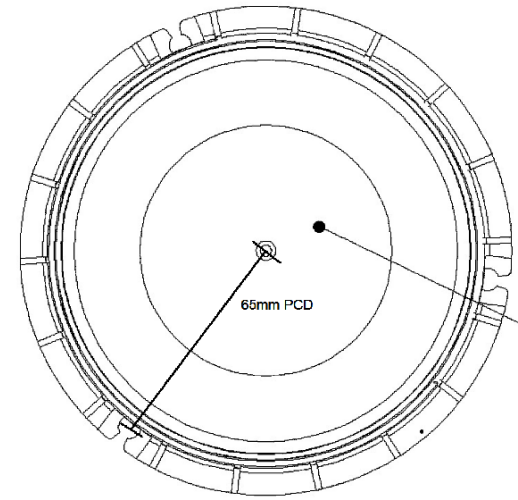


- 1 COVER IN AMBER THERMOPLASTIC MATERIAL
- 2 ROTATING REFLECTOR
- 3 H21W 12V-24V 21WBULB
- 4 THERMOPLASTIC BASE
- 5 ENGINE SYSTEM

### SPECIFICATIONS

- 1. CERTIFICATIONS; ECE R65 & R10 APPROVED
- 2. FLASH MODE: MAXIMUM 150 FPM
- 3. VOLTAGE (NOMINAL): 12/24 VDC
- 4. CURRENT (NOMINAL): 1.9A
- 5. CONNECTION: 2 WIRES

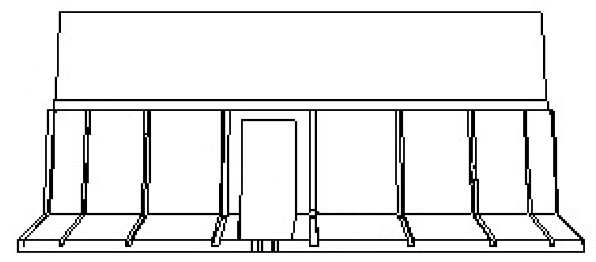
**FRONT VIEW**



**TOP VIEW**

HOMOLOGATION DIGIT POSITION ON THE COVER

### FIXING- 3 BOLT



APPROVALS	DATE
DESIGNER CF	
CHECKED	
SALES	

**VISION ALERT** ® VISION ALERT AUTOMOTIVE LIMITED  
 Victoria Industrial Park, Victoria Road, Seacroft, Leeds LS14 2LA  
 Tel: +44 (0)113 237 5340 Fax: +44 (0)113 237 5360  
 Email: sales@visionalert.co.uk

BEACON, COMPACT SERIES, 3 BOLT, REG 65, 23W, 12/24V

CUSTOMER PART NO. 307.000	PRODUCT SERIES: COMPACT SERIES
------------------------------	-----------------------------------

SIZE A4	DWG. NO. 307.000	REV. A
------------	---------------------	-----------

SHEET 1 OF 1	Project: 12001	Date Created: 2012-10-05
--------------	----------------	--------------------------

**NON DISCLOSURE AGREEMENT**  
 THIS DRAWING AND THE DESIGN IT DISCLOSES ARE THE PRIVATE PROPERTY OF VISION ALERT AND IS ISSUED IN CONFIDENCE FOR ENGINEERING INFORMATION ONLY. THE DRAWING AND / OR DESIGN MAY NOT BE USED, COPIED, REPRODUCED, OR OTHERWISE DISCLOSED IN PART OR AS A WHOLE TO OUTSIDERS OR USED FOR ANY OTHER PURPOSE WITHOUT THE PRIOR WRITTEN CONSENT OF VISION ALERT. THE DRAWING IS SUBJECT TO RECALL AT ANY TIME. YOUR POSSESSION OF THIS DOCUMENT CONSTITUTES ACCEPTANCE OF THESE TERMS. © 2012 VISION ALERT

