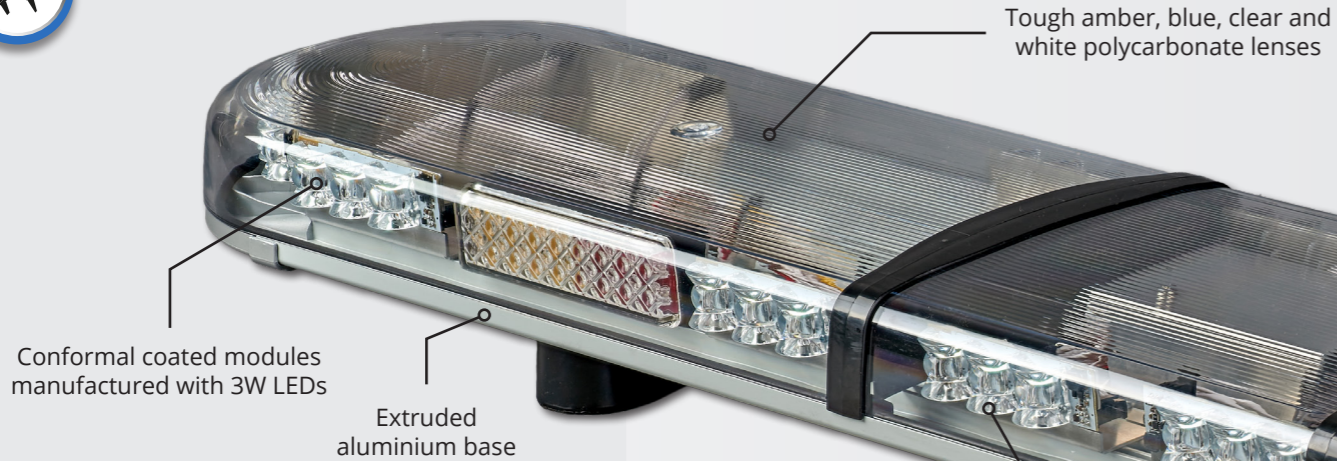


CUSTOMISATION
Every Hurricane TITAN LED lightbar is designed by our in-house engineers. Choose from six standard lengths and add further optional extras to suit your exact requirements.

LEAD TIMES
The Hurricane TITAN LED lightbar is manufactured at our UK production facility which means quicker responses, faster production times and no long delivery lead-times.

QUALITY CONTROL
Our fully trained and dedicated production team ensure every Hurricane TITAN is manufactured to the highest standards and 100% checked prior to despatch giving you full confidence.

Selectable
CAP168
Flash
Pattern



MAIN FEATURES

- Multi-voltage (10-30V)
- 2ft/600mm, 2.5ft/762mm, 3ft/915mm, 4ft/1220mm, 5ft/1524mm & 6ft/1828mm lengths available
- Four R65 approved flash patterns (single, double, triple, quad flash)
- Three selectable operating modes - simultaneous, left/right and front/back
- Airport flash mode available
- Amber or clear polycarbonate lenses
- Extruded aluminium base
- Fully encapsulated electronic control module
- Amber, clear or white centre sections available
- 4-bolt mounting fix / high rise feet option
- Extreme temperature reliability -30° to +50°
- 2ft Magnetic models available (40mph max. speed)
- 2.5 metre multi-core cable

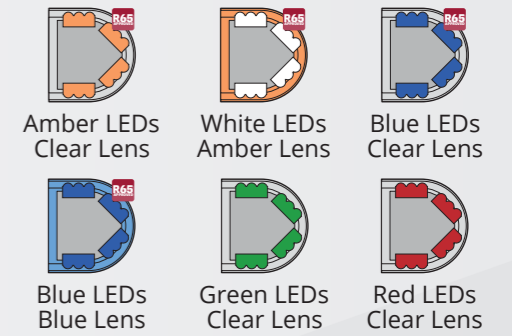
Components	Current Consumption @ 12V	Current Consumption @ 24V
3 LED Module (x1)	0.4A	0.2A
6 LED Module (x1)	0.9A	0.4A
Centre Illumination (x1)	0.4A	0.2A
Alley Light (x1)	0.3A	0.2A
Hazard Light (x1)	0.3A	0.2A
Stop, Tail, Indicator (x1)	0.6A	0.3A
LED Worklamp (x1)	1.0A	0.5A

KEY POINTS



Front facing LED illuminated centre section with optional sign writing (rear facing illumination when ordered with stop, tail, indicator light)

POSSIBLE LENS / LED COLOUR COMBINATIONS



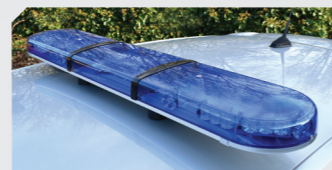
Populate with additional 3 LED & 6 LED modules

Stop, tail, indicator lights, hazard lights and external LED work lamps all available

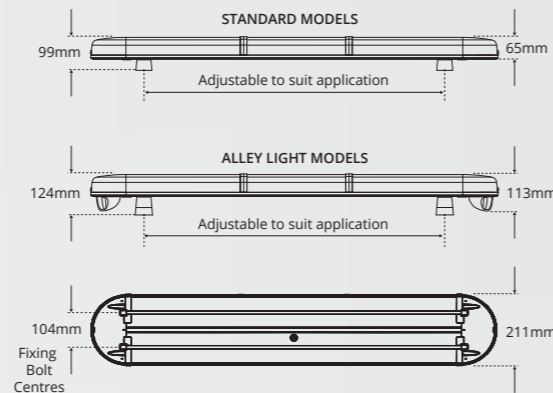
Adjustable heavy duty rubber mounting feet

Optional ultra-bright LED alley lights

ECE R65 CLASS I APPROVED



Blue LEDs with Blue Lens & Clear Lens Options



Model shown: LBH48H16AC/SZ

CUSTOMISE YOUR HURRICANE TITAN



LED Stop, Tail, Indicator Light



Internal LED Alley Lights



Amber Lens & Blue Lenses Available



WITH PROGRESSIVE INDICATION
New Progressive Style Indicator



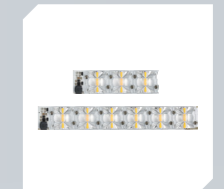
100mm & 150mm 'Z' Shaped Brackets



Opaque/Illuminated Centre & Signage



External LED Work Lamps



Extra 3 LED & 6 LED Modules