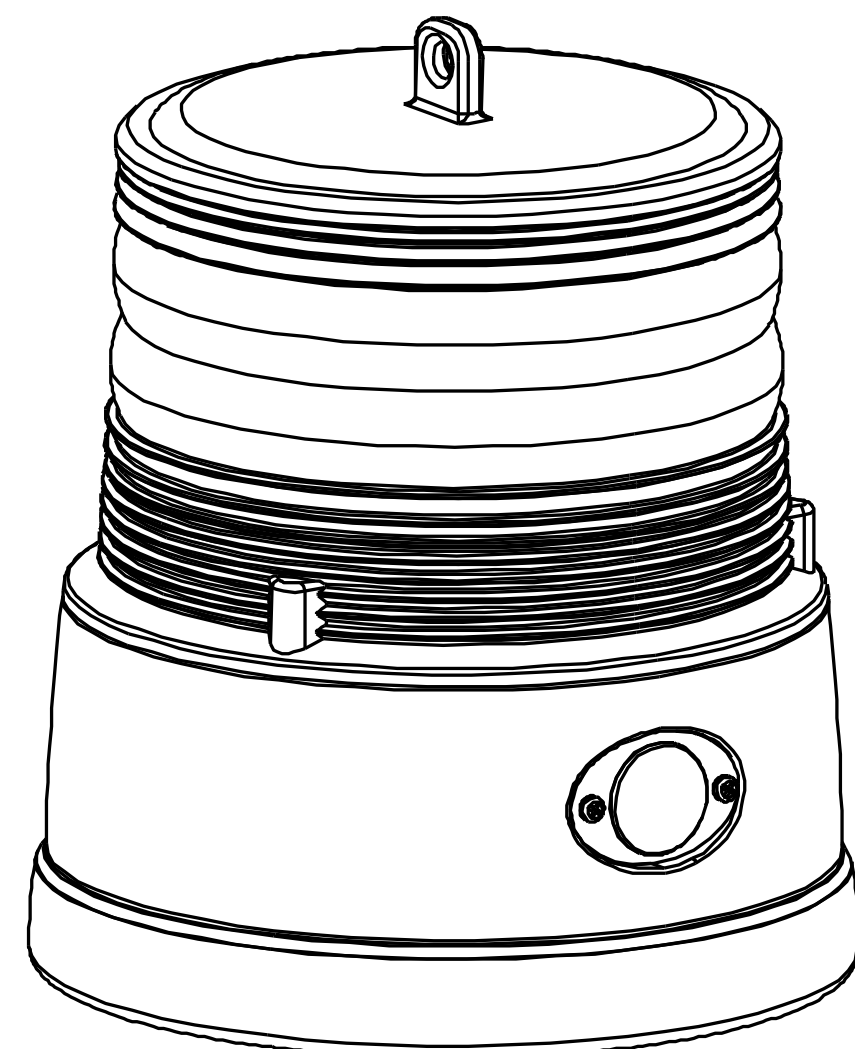
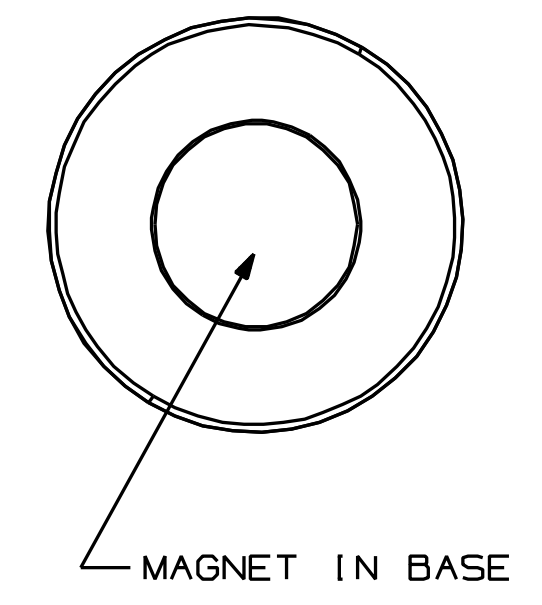
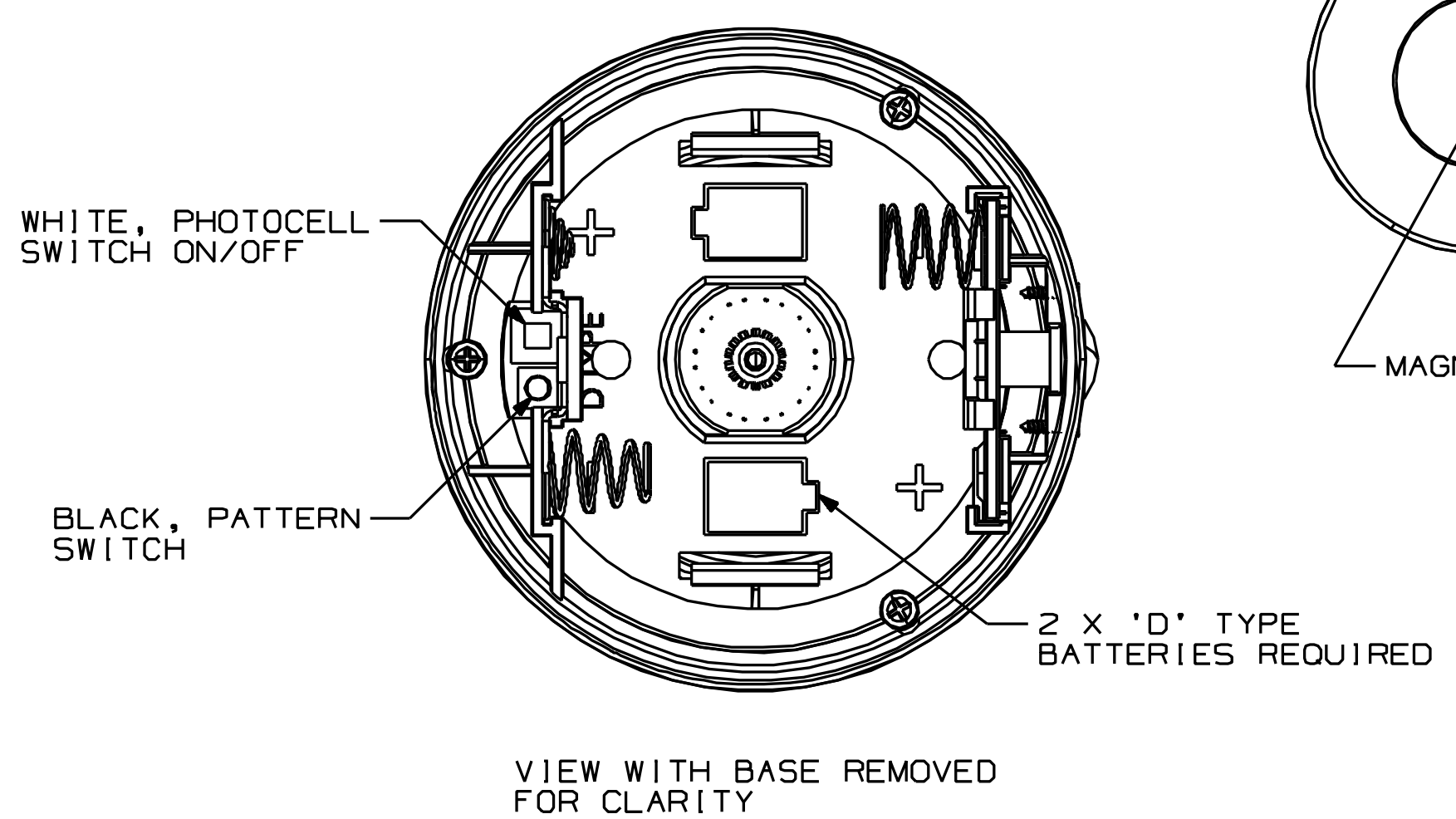
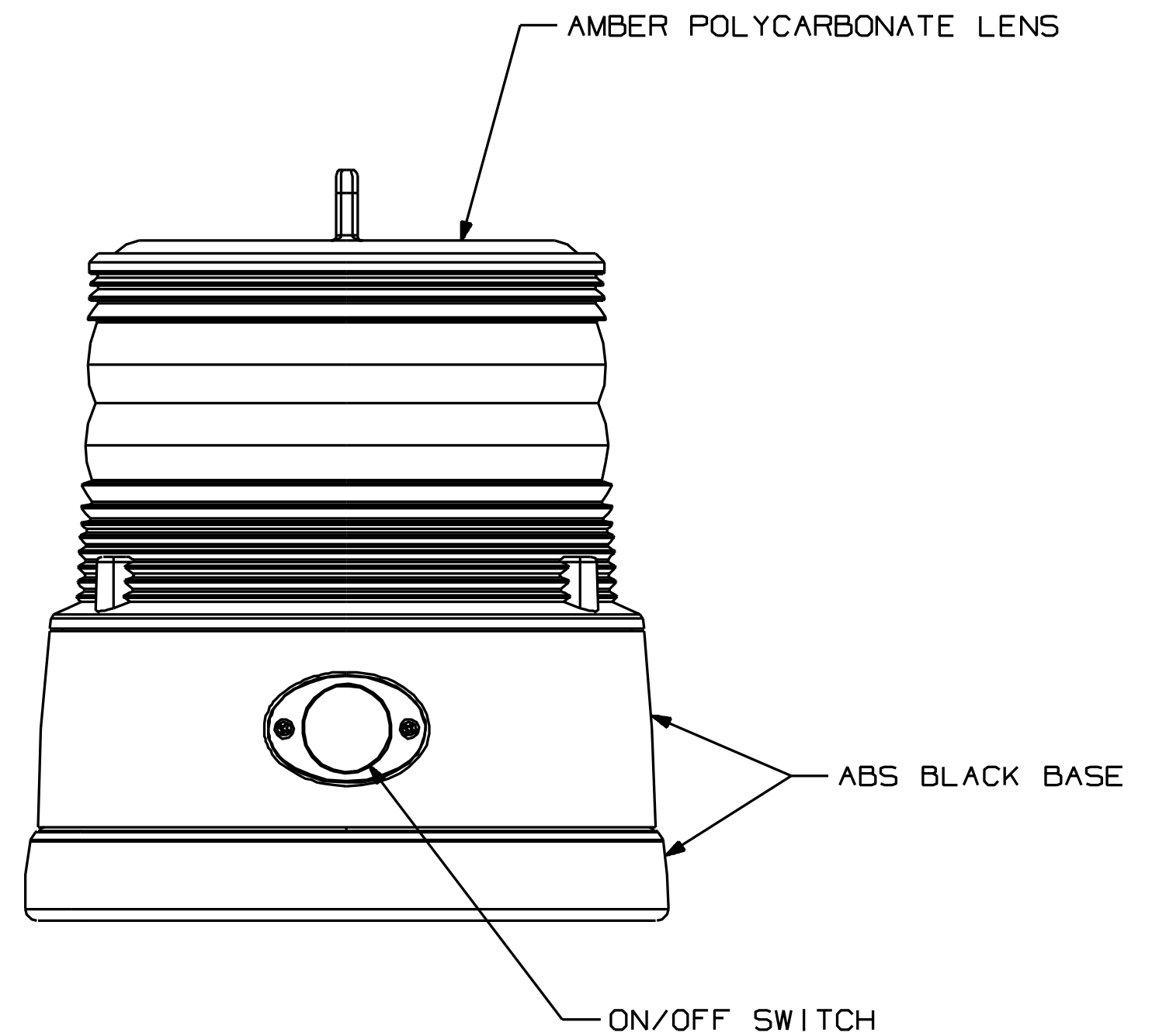
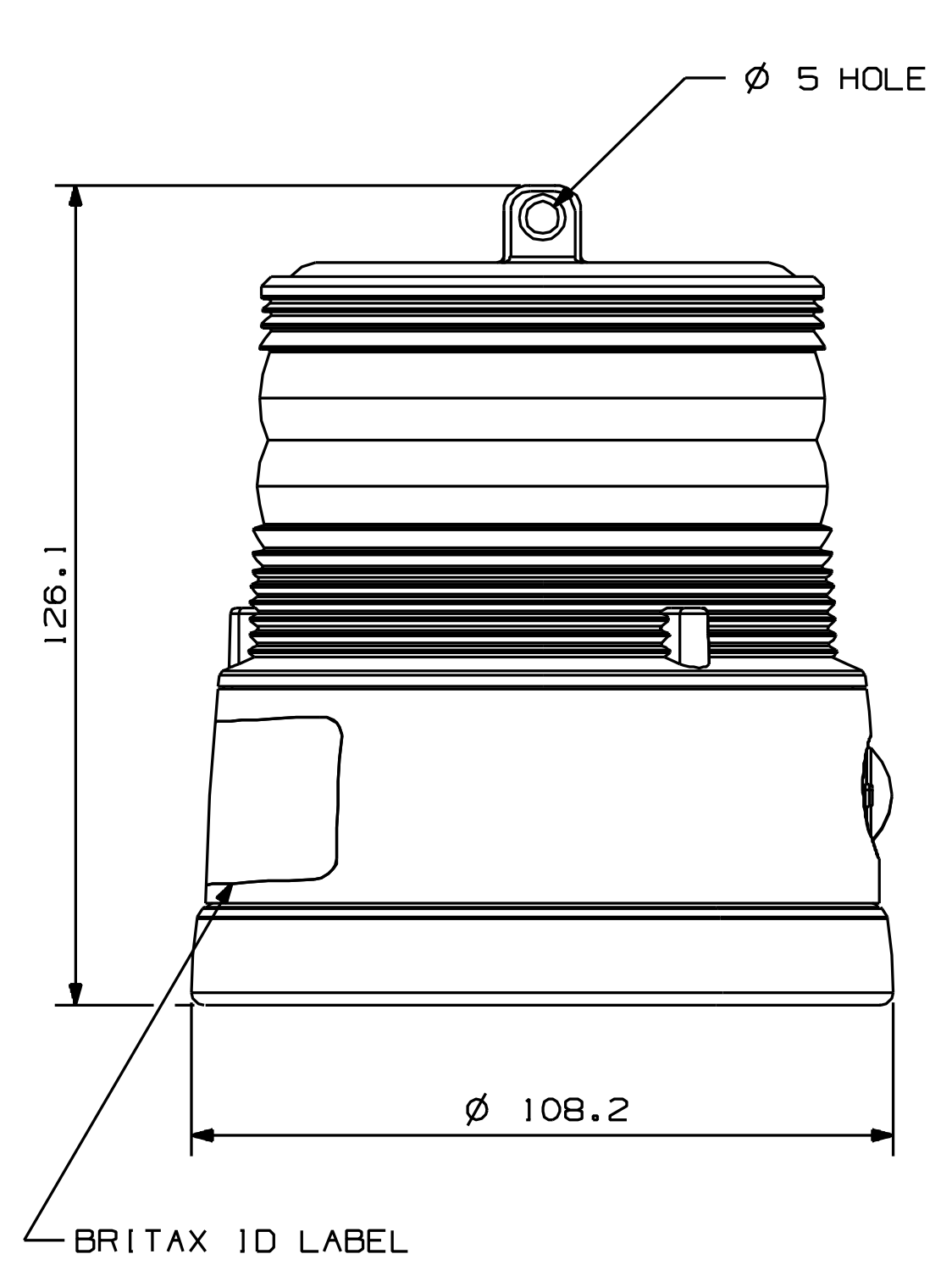


F
E
D
C
B
A



CERTIFICATION PROCEDURE INVOLVED - UNAUTHORISED DEVIATION STRICTLY FORBIDDEN

MOD No	REFERENCE	ISS	DATE	BY
36499	PRODUCTION REL	A	31/10/12	J.W.

- NOTES
- MINI LED BEACON
 - OPERATING VOLTAGE: 2 x 1.5V 'D' BATTERIES - NOT SUPPLIED.
OPERATION TIME - 300-400 HOURS
 - NOS OF FLASH PATTERNS - 2.
- SINGLE FLASH 75 FLASHES/MIN
- ROTATING 120 FLASHES/MIN
 - NOS OF LED'S - 20
 - OPERATING TEMPERATURE:-
-20°C TO +50°C.

MATERIAL	SPEC
FINISH	SPEC
EST. VOL.	MASS
TOOL No.	
DIMENSIONS IN MILLIMETRES DO NOT SCALE IF IN DOUBT - ASK	
DRAWN IN ACCORDANCE WITH BS308	
DIMENSIONAL TOLERANCES : AS SPECIFIED	
3RD ANGLE PROJECTION	METRIC DESIGN

BRITAX PMG LTD
BESSINGBY INDUSTRIAL EST
BRIDLINGTON
EAST YORKSHIRE
YO16 4SJ

Britax

DRAWN J WEBBER	DATE 31/10/12	CHECKED SEE RELEASE /CHANGE NOTE	SCALE 1:2
-------------------	------------------	--	--------------

TITLE
CUSTOMER DRAWING
MINI AMBER MAGNETIC PIR
BATTERY OPERATED BEACON

A	PART No.	Sht
2	B364.00.BAT	No 1 of 1