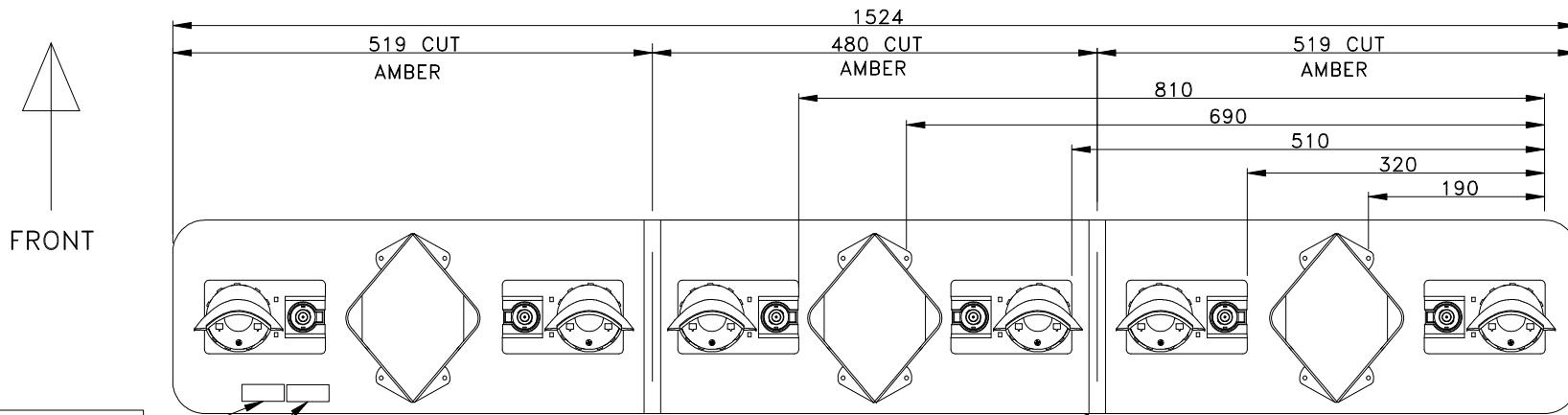


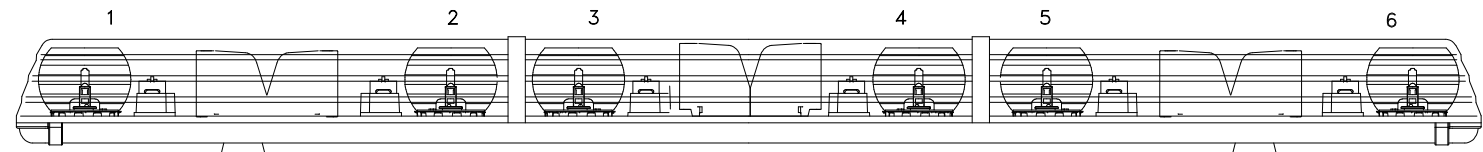
ISSUE	DESCRIPTION	DATE
A	REVISION BOX ADDED AS PER CR VA0032	10-12-03
-	-	-
-	-	-
-	-	-
-	-	-



6W5.0A01.AAAA
H1 12V-55W

SERIAL No.
OP/BATCH No.

AMBER BAFFLE (910.270)
2 PLACES



FIXING KIT LARGE (999.190)

- RED ROTATING MODULES (1&6)
 - RED ROTATING MODULES (2&5)
 - RED ROTATING MODULES (3&4)
 - BLACK COMMON EARTH
- 3Mtr FREE LENGTH



© VISION ALERT AUTOMOTIVE LIMITED
Victoria Ind Park, Victoria Road, Seacroft Leeds LS14 2LA
Telephone : 0845 1300155 Fax : 0845 1300255
Email; Sales@visionalert.co.uk

PRODUCTION BUILD PLAN
CHECKED.....S.O... APPROVED.....C.T.:

DRAWN C. TANDY	
DATE 19-07-00	
PART No.	VOLTAGE
6W5.0A01.AAAA	12v