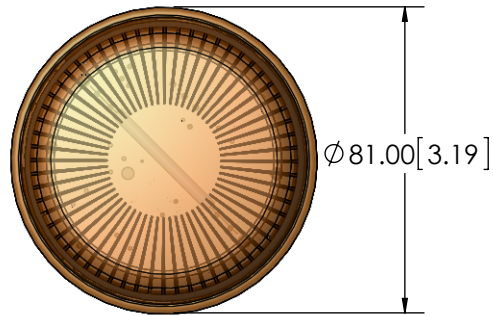
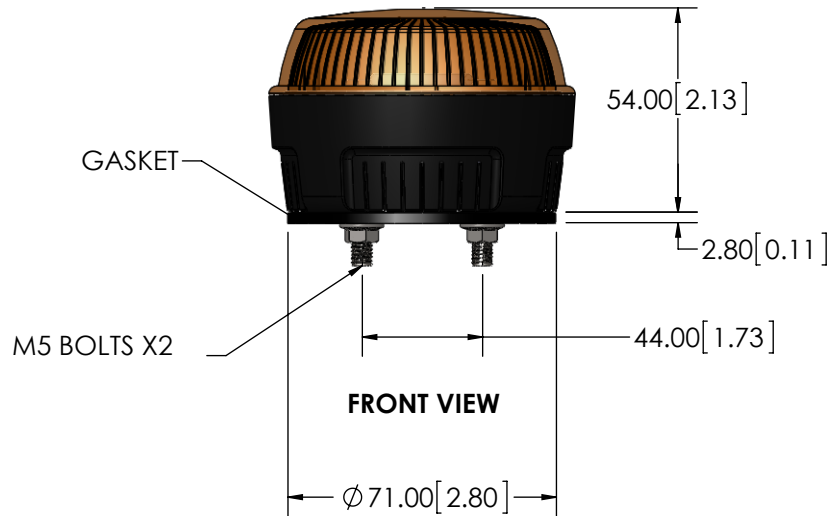


CUSTOMER COPY

REVISION HISTORY		
REV.	DESCRIPTION	DATE
A	PRODUCTION RELEASE AS PER P3#11003	14-12-2011
		2014-03-31
C	REVISE PER VA CR 1872	2015-01-27



TOP VIEW



FRONT VIEW

SPECIFICATIONS

1. CERTIFICATIONS: ECE R10 & CE APPROVED
2. FLASH MODE: 75 FPM
3. VOLTAGE (NOMINAL): 20-72VAC 10-100VDC
4. CURRENT (MAXIMUM): 0.40A @ 12VDC
5. CONNECTION: 0.5mm², 16/0.2mm WIRES IN A CABLE
6. MOUNTING: 2 X M5-BOLT THROUGH BASE OF BEACON
7. BASE MATERIAL: POLYCARBONATE
8. LENS MATERIAL: POLYCARBONATE


WIRING KEY AT 12VDC			
COLOUR	COMPONENT	TYP. MAX CURRENT (A)	COMMENT
RED	POWER - XENON	0.40	SINGLE FLASH
YEL	SYNC	N/A	N/A
BLK	GROUND	0.40	N/A

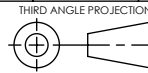
NOTES:

1. CABLES AND WIRING NOT SHOWN
2. DIMENSIONS IN MILLIMETERS [INCHES (FOR REFERENCE)]
3. 0.5M CABLE LENGTH
4. USE SUB ASSEMBLY (100-30115270) FOR MANUFACTURE

NON DISCLOSURE AGREEMENT

THIS DRAWING AND THE DESIGN IT DISCLOSES ARE THE PRIVATE PROPERTY OF ECCO AND IS ISSUED IN CONFIDENCE FOR ENGINEERING INFORMATION ONLY. THE DRAWING AND / OR DESIGN MAY NOT BE USED, COPIED, REPRODUCED, OR OTHERWISE DISCLOSED IN PART OR AS A WHOLE TO OUTSIDERS OR USED FOR ANY OTHER PURPOSE WITHOUT THE PRIOR WRITTEN CONSENT OF ECCO. THE DRAWING IS SUBJECT TO RECALL AT ANY TIME. YOUR POSSESSION OF THIS DOCUMENT CONSTITUTES ACCEPTANCE OF THESE TERMS. © 2012 ECCO

SCALE 1:2		APPROVALS	DATE	 European Division +44 (0) 113 237 5340 Victoria Industrial Park, Victoria Road, Seacroft, Leeds LS14 2LA Tel: +44 (0)113 237 5340 Fax: +44 (0)113 237 5360 www.eccogroup.com											
CAD GENERATED DRAWING DO NOT MANUALLY UPDATE. MODEL REFERENCED: B+		DRAWN BY LSH	2014-12-11												
TOLERANCES ARE IN INCHES, AND MILLIMETERS TOLERANCES ARE:		CHECKED MPS	2014-12-12												
<table border="1"> <tr> <th>MILLIMETERS DECIMALS</th> <th>INCHES DECIMALS</th> <th>ANGLES</th> </tr> <tr> <td>XX. ± 1.0mm</td> <td>X.X ± 0.1</td> <td>± 0.5°</td> </tr> <tr> <td>XX.X ± 0.5mm</td> <td>X.XX ± 0.04</td> <td>FRACTIONS</td> </tr> <tr> <td></td> <td>X.XXX ± 0.02</td> <td>± 1/64</td> </tr> </table>		MILLIMETERS DECIMALS	INCHES DECIMALS		ANGLES	XX. ± 1.0mm	X.X ± 0.1	± 0.5°	XX.X ± 0.5mm	X.XX ± 0.04	FRACTIONS		X.XXX ± 0.02	± 1/64	MECH. ENG. CCM
MILLIMETERS DECIMALS	INCHES DECIMALS	ANGLES													
XX. ± 1.0mm	X.X ± 0.1	± 0.5°													
XX.X ± 0.5mm	X.XX ± 0.04	FRACTIONS													
	X.XXX ± 0.02	± 1/64													
		ELEC. ENG. IIB	2015-01-20												
		TEST ENG.													
		SALES.													
		BEACON, LP, XEN, SYNC, 5W, MV, AMBER													
		CUSTOMER PART NO. 30115270													
		PRODUCT SERIES: LP SERIES													
		SIZE: A	DWG. NO. 30115270												
		SHEET 1 OF 1 Project: P3#11003 Date Created: 2014-12-14													
		Electronically Controlled Use Latest Copy													



REV. **C**