



BEACONS



6262 Series LED Beacon

ECCO's maintenance-free 6262 Series LED Beacons feature three of the latest LEDs and Pulse8 flash operation, producing a warning signal ideally suited to industrial applications. This cost effective unit has a wide operating range of 12-80V, making it the perfect light for use on electric vehicles. The long, trouble-free service life and low amp draw characteristics of LED technology make this an ideal replacement solution for rotating or strobe beacons.

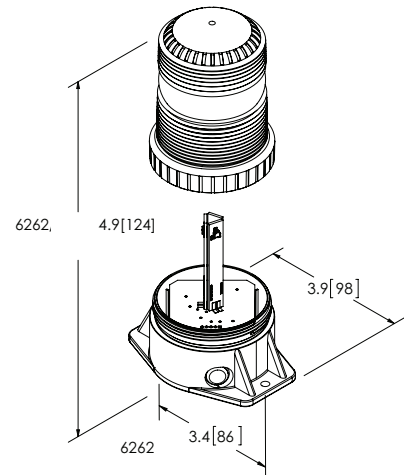
Models

PART NO.	VOLTAGE	AMPS	FPM	MOUNT	WIRE EXIT
6262A	12-80	0.5	70 Pulse8	2 Bolt	Side

Features and Benefits

- Pulse8 flash operation, 8 flashes per cycle (70FPM)
- Reinforced nylon base with epoxy-sealed electronics provides superior environmental protection
- Thread-on polycarbonate lens
- Reverse polarity, voltage spike and surge protected
- Temperature Range: -30°C to +50°C

Features and Benefits



Reinforced nylon base is epoxy filled for environmental protection

