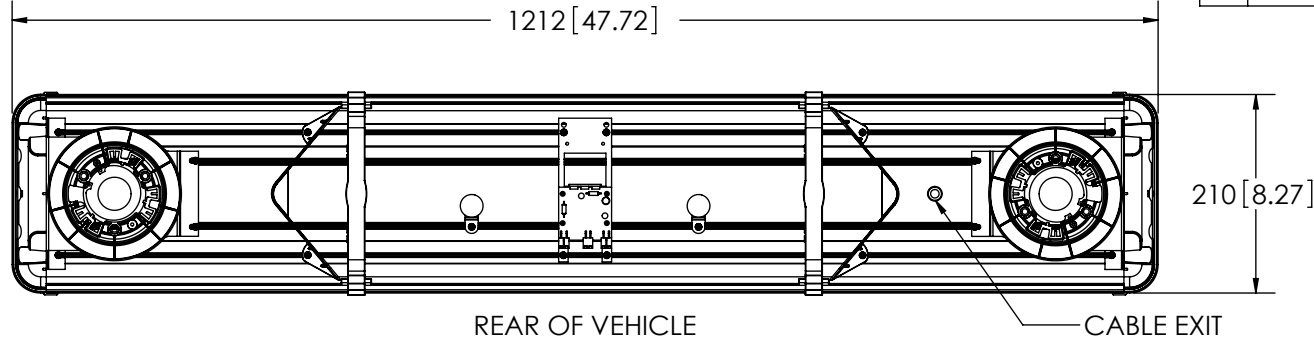


8 7 6 5 4 3 2 1

REVISION HISTORY		
REV.	DESCRIPTION	DATE
A	PRODUCTION RELEASE AS PER P3#08117	2009-02-09



WIRING KEY			
COLOR	COMPONENT	TYP. MAX CURRENT (A)	COMMENT
RED	PSU POWER (+)	2.0	N/A
GRN	CTR ILLUMINATION	3.5	N/A
BLK	GROUND	5.5	RING TERMINAL

SPECIFICATIONS

1. FLASH MODE: MAXIMUM 130 FPM
2. VOLTAGE (NOMINAL): 12 VDC
3. CURRENT (NOMINAL): 5.5 A
4. CONNECTION: 14 OR 16 AWG WIRES IN A CABLE
5. MOUNTING: 4-BOLT THROUGH MOUNTING KIT
6. BASE MATERIAL: ALUMINUM
7. LENS MATERIAL: POLYCARBONATE



- NOTES:
1. CABLES AND WIRING NOT SHOWN
 2. TOP VIEW: TOP LENSES NOT SHOWN FOR CLARITY
 3. MOUNTING FEET: ADD 30mm TO OVERALL HEIGHT
 4. THE LENGTH BETWEEN MOUNTING FEET IS ADJUSTABLE
 5. CABLE LENGTH - 3.0M (10 ft)
 6. CABLE EXIT - DRIVER'S SIDE
 7. DIMENSIONS IN MILLIMETERS [INCHES (FOR REFERENCE)]
 8. USE SUB ASSEMBLY (143-00427-60) FOR MANUFACTURE

APPROVALS		DATE		VISION ALERT AUTOMOTIVE LIMITED Victoria Industrial Park, Victoria Road, Seacroft, Leeds LS14 2LA Tel: +44 (0)113 237 5340 Fax: +44 (0)113 237 5360 Email: sales@visionalert.co.uk	
DESIGNER	MPS				
CHECKED					
ELEC. ENG.					
MECH. ENG.					
TEST ENG.				L/BAR,60 SER,1.21M,2 A HALO,COC,12V	
SALES				CUSTOMER PART NO. 60-00427-V	PRODUCT SERIES: 60 Series Lightbars
SCALE 1:8		SIZE A4	DWG. NO. 60-00427-V	REV. A	
CAD GENERATED DRAWING DO NOT MANUALLY UPDATE. MODEL REFERENCED: C		THIRD ANGLE PROJECTION 		SHEET 1 OF 1 Project: 08117 Date Created: 2009-02-09	

NON DISCLOSURE AGREEMENT
 THIS DRAWING AND THE DESIGN IT DISCLOSES ARE THE PRIVATE PROPERTY OF VISION ALERT AND IS ISSUED IN CONFIDENCE FOR ENGINEERING INFORMATION ONLY. THE DRAWING AND / OR DESIGN MAY NOT BE USED, COPIED, REPRODUCED, OR OTHERWISE DISCLOSED IN PART OR AS A WHOLE TO OUTSIDERS OR USED FOR ANY OTHER PURPOSE WITHOUT THE PRIOR WRITTEN CONSENT OF VISION ALERT. THE DRAWING IS SUBJECT TO RECALL AT ANY TIME. YOUR POSSESSION OF THIS DOCUMENT CONSTITUTES ACCEPTANCE OF THESE TERMS. © 2009 VISION ALERT

8 7 6 5 4 3 2 1