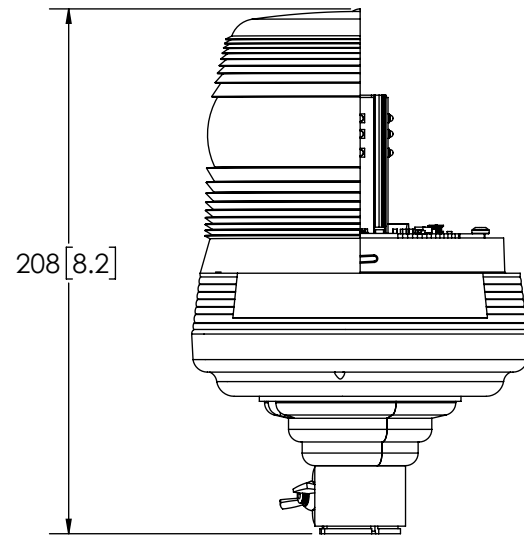
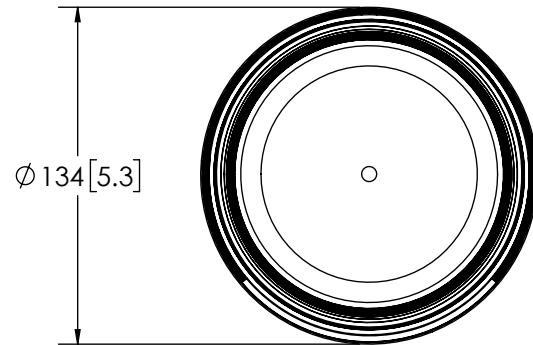


REVISION HISTORY		
REV.	DESCRIPTION	DATE
D	REVISE PER VA CR 1602	2014-03-07
E	REVISE PER LC0098	2015-08-13
F	REVISE PER LP0015	2017-06-15




SPECIFICATIONS

- CERTIFICATIONS; R10 & R65 APPROVED
Note: Unique components, accessories and hardware kits are not typically included in the Product Certification test Protocols. Unless otherwise specified, The Product Certification referred to herein are predicated upon the base product model configuration.
- FLASH MODE: DOUBLE : 125 ± 5 FLASHES PER MINUTE (R65)
- VOLTAGE (NOMINAL): 12/24 VDC
- VOLTAGE (EXTREME): 10 - 30 VDC
- CURRENT (PEAK): 2.0A (@ 12 VDC NOMINAL)
- POWER (MAXIMUM): 24W (@ 12 VDC NOMINAL)
- TEMPERATURE RANGE: -30°C TO 50°C
- CONNECTION: 18 AWG WIRES IN A CABLE
- MOUNTING: FLEXI MOUNT
- BASE MATERIAL: ABS
- LENS MATERIAL: POLYCARBONATE
- PRODUCT WEIGHT: 0.8KG

NOTES:

- DIMENSIONS IN MILLIMETERS [INCHES(FOR REFERENCE)]
- USE SUB ASSEMBLY (100-V11055) FOR MANUFACTURE

SCALE 1:3		APPROVALS	DATE	 ECCO ® www.eccolink.com Americas (800) 635-5900 Europe +44 (0)113 237 5340 Asia Pacific +61 (0)3 63322444											
CAD GENERATED DRAWING DO NOT MANUALLY UPDATE. MODEL REFERENCED: E+		DRAWN BY	2017-06-05												
TOLERANCES ARE IN INCHES, AND MILLIMETERS TOLERANCES UNLESS OTHERWISE STATED ARE:		CHECKED	KDC 2017-06-12												
<table border="1"> <tr> <th>MILLIMETERS DECIMALS</th> <th>INCHES DECIMALS</th> <th>ANGLES</th> </tr> <tr> <td>XX. ± 1.0mm</td> <td>X.X ± 0.1</td> <td>± 0.5°</td> </tr> <tr> <td>XX.X ± 0.5mm</td> <td>X.XX ± 0.04</td> <td>FRACTIONS</td> </tr> <tr> <td></td> <td>X.XXX ± 0.02</td> <td>± 1/64</td> </tr> </table>		MILLIMETERS DECIMALS	INCHES DECIMALS		ANGLES	XX. ± 1.0mm	X.X ± 0.1	± 0.5°	XX.X ± 0.5mm	X.XX ± 0.04	FRACTIONS		X.XXX ± 0.02	± 1/64	MECH. ENG.
MILLIMETERS DECIMALS	INCHES DECIMALS	ANGLES													
XX. ± 1.0mm	X.X ± 0.1	± 0.5°													
XX.X ± 0.5mm	X.XX ± 0.04	FRACTIONS													
	X.XXX ± 0.02	± 1/64													
		ELEC. ENG.	MMG 2017-06-05	BEACON, 400, FLEX DIN, AMBER, REG65 LED											
		TEST ENG.	DFG 2017-06-05	CUSTOMER PART NO. V11055											
		SALES.	JSM 2017-06-07	PRODUCT SERIES: 400											
THIRD ANGLE PROJECTION				SIZE: A4 DWG. NO. V11055 REV. F											
NON DISCLOSURE AGREEMENT		Electronically Controlled Use Latest Copy		SHEET 1 OF 1 Project: P3#11004 Date Created: 28-Oct-03											

THIS DRAWING AND THE DESIGN IT DISCLOSES ARE THE PRIVATE PROPERTY OF ELECTRONIC CONTROLS CO. AND IS ISSUED IN CONFIDENCE FOR ENGINEERING INFORMATION ONLY. THE DRAWING AND / OR DESIGN MAY NOT BE USED, COPIED, REPRODUCED, OR OTHERWISE DISCLOSED IN PART OR AS A WHOLE TO OUTSIDERS OR USED FOR ANY OTHER PURPOSE WITHOUT THE PRIOR WRITTEN CONSENT OF ELECTRONIC CONTROLS CO. THE DRAWING IS SUBJECT TO RECALL AT ANY TIME. YOUR POSSESSION OF THIS DOCUMENT CONSTITUTES ACCEPTANCE OF THESE TERMS. © 2017 ELECTRONIC CONTROLS CO.