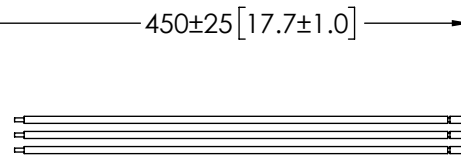
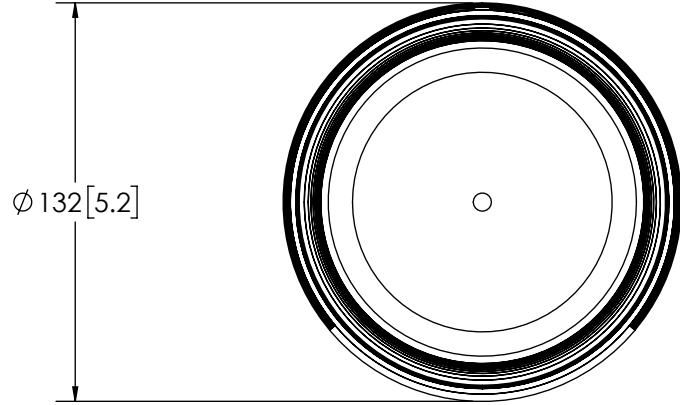
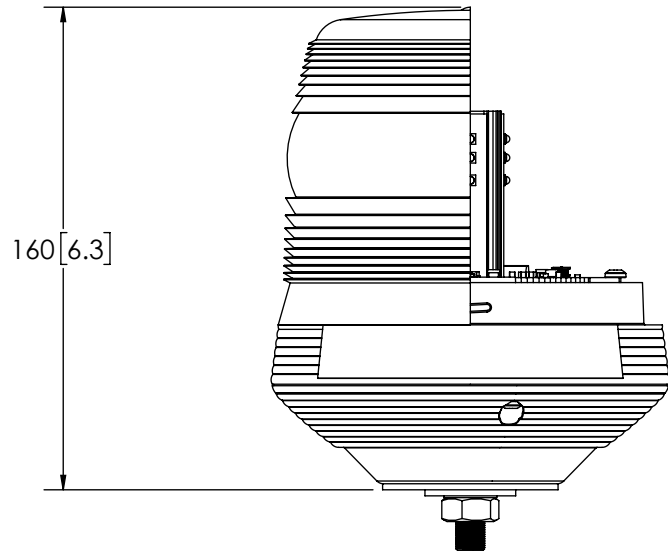


REVISION HISTORY		
REV.	DESCRIPTION	DATE
F	REVISE PER LC0098	2015-12-01
G	REVISE PER LC0634	2016-07-20
H	REVISE PER LC0634	2018-02-06



3-18 AWG WIRES
 RED - POSITIVE (+)
 BLACK - NEGATIVE (-)
 YELLOW - SYNC (PATTERN SELECT)



SPECIFICATIONS

- CERTIFICATIONS; R10 & R65 APPROVED
 Note: Unique components, accessories and hardware kits are not typically Included in the product certification test protocols. Unless otherwise Specified, the product certification referred to herein are predicated upon The base product model configuration.
- FLASH MODE: MAXIMUM 125 FPM FAST DOUBLE FLASH
- VOLTAGE (NOMINAL): 12/24 VDC
- VOLTAGE (EXTREME): 10 - 30 VDC
- CURRENT (PEAK): 2A (@ 12 VDC NOMINAL)
- POWER (MAXIMUM): 24W (@ 12 VDC NOMINAL)
- TEMPERATURE RANGE: -30°C TO 50°C
- CONNECTION: 18 AWG WIRES IN A CABLE
- MOUNTING: 1 BOLT THROUGH MOUNTING KIT
- BASE MATERIAL: ABS
- LENS MATERIAL: POLYCARBONATE
- PRODUCT WEIGHT: 0.8KG

- NOTES:
- DIMENSIONS IN MILLIMETERS [INCHES (FOR REFERENCE)]
 - USE SUB ASSEMBLY (100-V11051) FOR MANUFACTURE

SCALE 1:2.5		APPROVALS	DATE
CAD GENERATED DRAWING DO NOT MANUALLY UPDATE. MODEL REFERENCED: D		DRAWN BY	2017-06-20
TOLERANCES ARE IN INCHES, AND MILLIMETERS TOLERANCES UNLESS OTHERWISE STATED ARE:		CHECKED LSH	2017-09-05
MILLIMETERS DECIMALS	INCHES DECIMALS	MECH. ENG. JGW	2017-06-20
XX ± 1.0mm	X.X ± 0.1	ELEC. ENG. MMG	2017-06-22
XX.X ± 0.5mm	X.XX ± 0.04	TEST ENG. DFG	2017-06-20
	X.XXX ± 0.02	SALES.	
	ANGLES ± 0.5°		
	FRACTIONS ± 1/64		
THIRD ANGLE PROJECTION			
Electronically Controlled Use Latest Copy			

		www.eccolink.com	
Americas (800) 635-5900 Europe +44 (0)113 237 5340 Asia Pacific +61 (0)3 63322444			
BEACON, 400, 1BOLT CON, AMBER, REG65 LED			
CUSTOMER PART NO. V11051		PRODUCT SERIES: 400 SERIES	
SIZE: A4	DWG. NO. V11051	REV. H	
SHEET 1 OF 1	Project: 11004	Date Created: 15-Jan-04	

THIS DRAWING AND THE DESIGN IT DISCLOSES ARE THE PRIVATE PROPERTY OF ELECTRONIC CONTROLS CO. AND IS ISSUED IN CONFIDENCE FOR ENGINEERING INFORMATION ONLY. THE DRAWING AND/OR DESIGN MAY NOT BE USED, COPIED, REPRODUCED, OR OTHERWISE DISCLOSED IN PART OR AS A WHOLE TO OUTSIDERS OR USED FOR ANY OTHER PURPOSE WITHOUT THE PRIOR WRITTEN CONSENT OF ELECTRONIC CONTROLS CO. THE DRAWING IS SUBJECT TO RECALL AT ANY TIME. YOUR POSSESSION OF THIS DOCUMENT CONSTITUTES ACCEPTANCE OF THESE TERMS. © 2017 ELECTRONIC CONTROLS CO.