

LED SCENELITE S19



852 lumens; > 490 lux at 1 metre ; new continuous light source



Low power consumption, only 6W



Solid aluminium base



Slim, low profile design



Waterproof to IP67



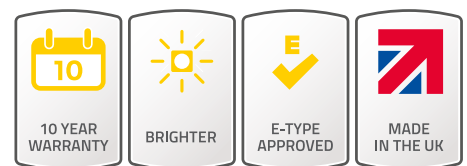
E-type approved



TECHNICAL SPECIFICATION
APRIL 2019



DESIGNED FOR MULTI-SECTOR APPLICATIONS



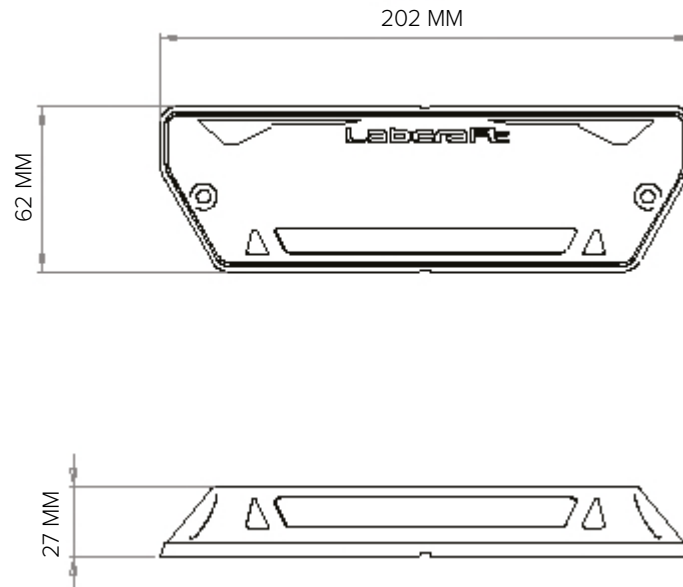
LED SCENELITE S19

852 lumens - Long life, high intensity Cree LEDs produce a clean white light and creates a safe working environment, producing a light reading of over 490 lux at 1 metre. Available in BLACK or WHITE.

Solid aluminium base - This gives a robust product and ensures the LEDs run as cool as possible for longer life.

Slim, low profile design – At just 27mm deep, the S19 can be fitted in a multitude of applications without causing obstruction. Available in black or white, this versatile product can also be used in a wide range of additional applications such as for tail-lift lighting, rescue vehicles, utility vans and the 4x4 sector to provide a wide beam of bright, white light which will illuminate the darkest working environments.

Waterproof to IP67 - The tough outer enclosure and potting over more sensitive components provides protection against severe weather conditions and pressure washing.



SPECIFICATION		ALL DIMENSIONS HAVE A TOLERANCE OF +/-1mm	
		SI9_CW24 (12V)	SI9_CW24/2 (24V)
Voltage Range	VDC	10-14V	20-28V
Average Current	A	0.44	0.22
Light Output	lm	852	852
Watts	W	6W	6W
Weight	kg	0.18kg	0.18kg
Temp. Range	°C	-30 to +40	-30 to +40
IP Rating	IP	IP67	IP67

E & OE | Calculations based on average LED values @ 13.2V (for 12V models) and @ 26V (for 24V)

