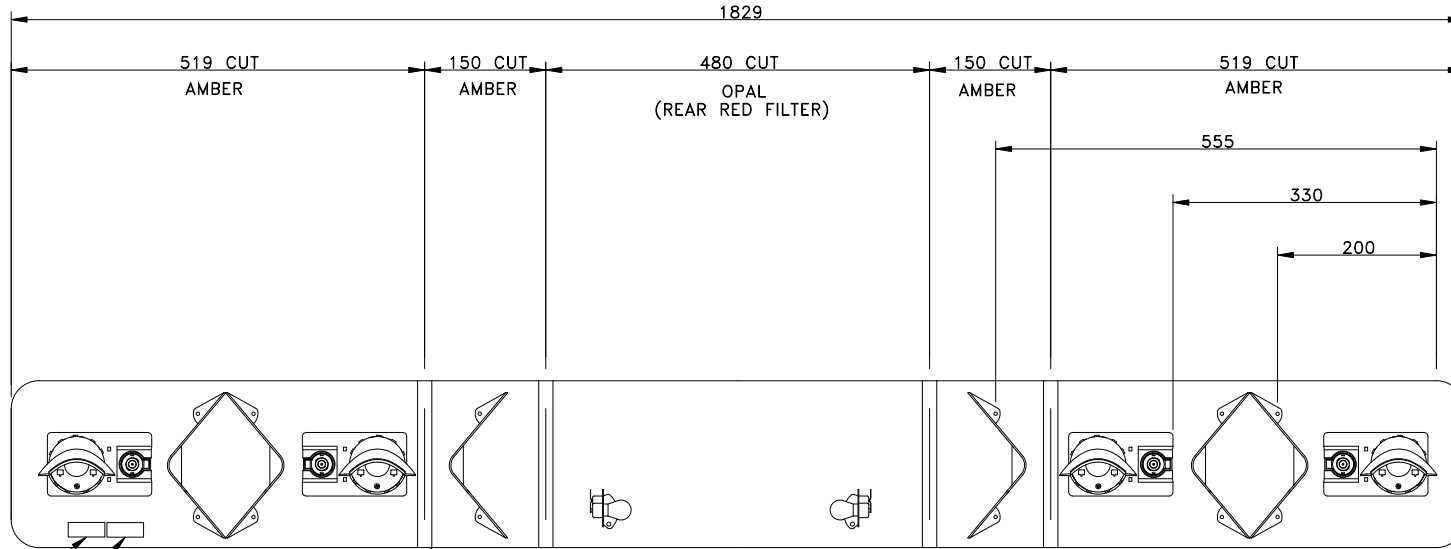
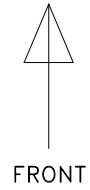


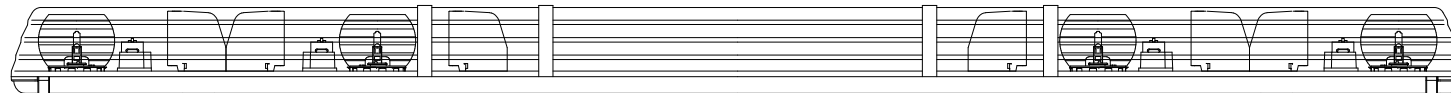
| ISSUE | DESCRIPTION | DATE |
|-------|-------------------------------------|----------|
| A | REVISION BOX ADDED AS PER CR VA0032 | 11-12-03 |
| B | UP DATE MIRRORS AS PER CR-VAM1982 | 30-03-04 |
| - | - | - |
| - | - | - |
| - | - | - |



626.3A02.AAAA
H1 24V-70W

SERIAL No.
BATCH OP/No

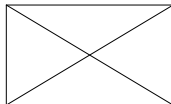
AMBER BAFFLE (910.270)
2 PLACES



FIXING KIT LARGE (999.190)

- RED ROTATING MODULES (INNER)
- RED ROTATING MODULES (OUTER)
- GREEN SIGNPLATE
- BLACK COMMON EARTH

3Mtr FREE LENGTH



NO LENS LABEL



BASE LABEL (990.025)
2 PLACES



© VISION ALERT AUTOMOTIVE LIMITED
Victoria Industrial Park, Victoria Road, Seacroft, Leeds LS14 2LA
Tel : +44 (0)113 237 5340 Fax : +44 (0)113 237 5360
Email; sales@visionalert.co.uk

PRODUCTION BUILD PLAN

CHECKED.....S.O.... APPROVED.....C.T....

DRAWN S. OSBORNE

DATE 12-05-00

PART No.

626.3A02.AAAA

VOLTAGE

24V