

## FT-073 LED LONG

### CLEARANCE lamp

- This popular LED Marker Light fits neatly onto tubular stainless steel, commonly used on bars for Vans and Trucks
- Lamp is equipped with screw covers
- Not only stunning light emission but also catchy brightness

#### LAMP FUNCTIONS:

Depending on the light color:

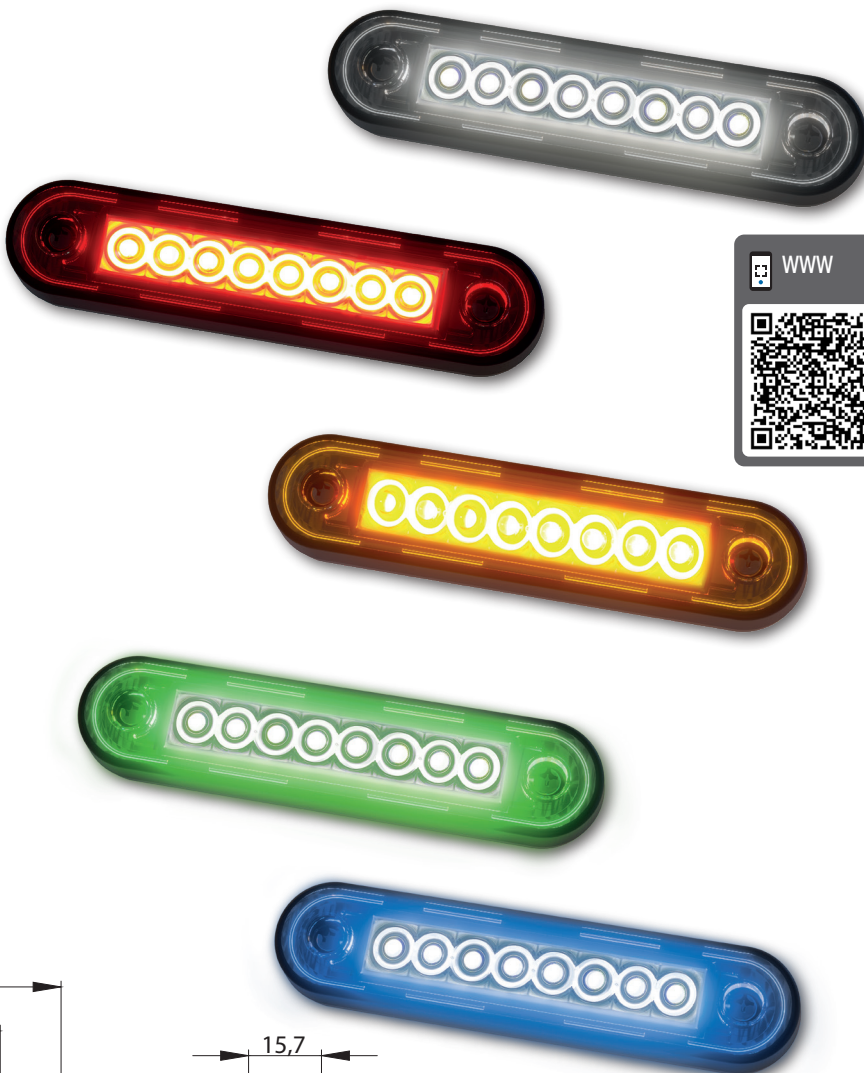
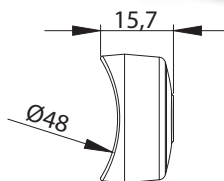
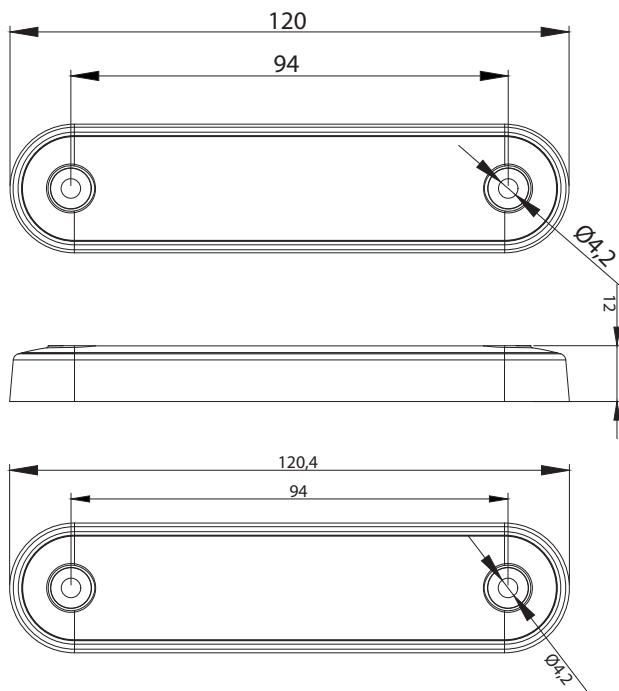
- **front** clearance light – horizontal and vertical approval
- **rear** clearance light – horizontal and vertical approval
- **side** clearance light – horizontal approval
- **decorative** light (blue and green)

#### Power consumption:

12V/24V = 0,1A/0,1A

#### Power consumption / Rated power:

12V/24V = 1,2W/2,4W



#### SET CONTAINS:

- side marker lamp
- rubber for flat fitting
- rubber for fitting on tubular bars
- screw covers

<b>FT-073 B LED LONG</b>	Clearance Lamp LED 12-36V, white, luum 0,15m, with a flat and round black rubber gasket for a vehicle bullbars.
<b>FT-073 C LED LONG</b>	Clearance Lamp LED 12-36V, RED, luum 0,15m, with a flat and round black rubber gasket for a vehicle bullbars.
<b>FT-073 Z LED LONG</b>	Clearance Lamp LED 12-36V, YELLOW, luum 0,15m, with a flat and round black rubber gasket for a vehicle bullbars.
<b>FT-073 N LED LONG</b>	Decorative lamp LED 12-36V, blue, luum 0,15m, with a flat and round black rubber gasket for a vehicle bullbars.
<b>FT-073 ZIEL LED LONG</b>	Decorative lamp LED 12-36V, green, luum 0,15m, with a flat and round black rubber gasket for a vehicle bullbars.