

REVISION HISTORY		
REV.	DESCRIPTION	DATE
01	PRELIMINARY RELEASE PER LL0080	2016-07-27
A	INITIAL RELEASE PER LL0080	2016-09-06

SPECIFICATIONS

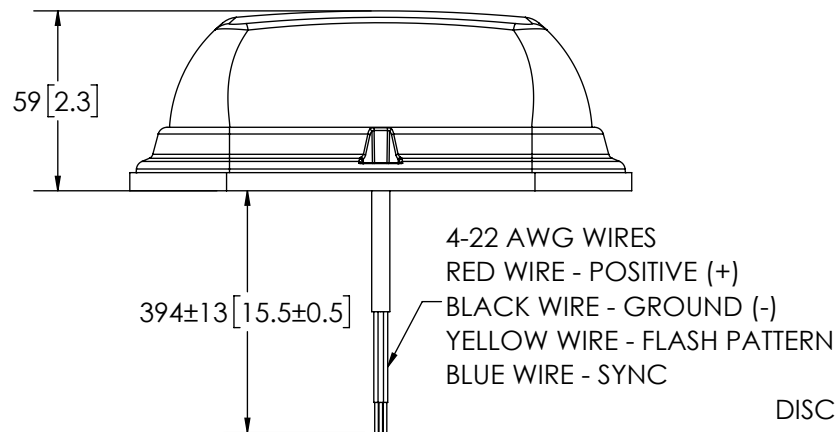
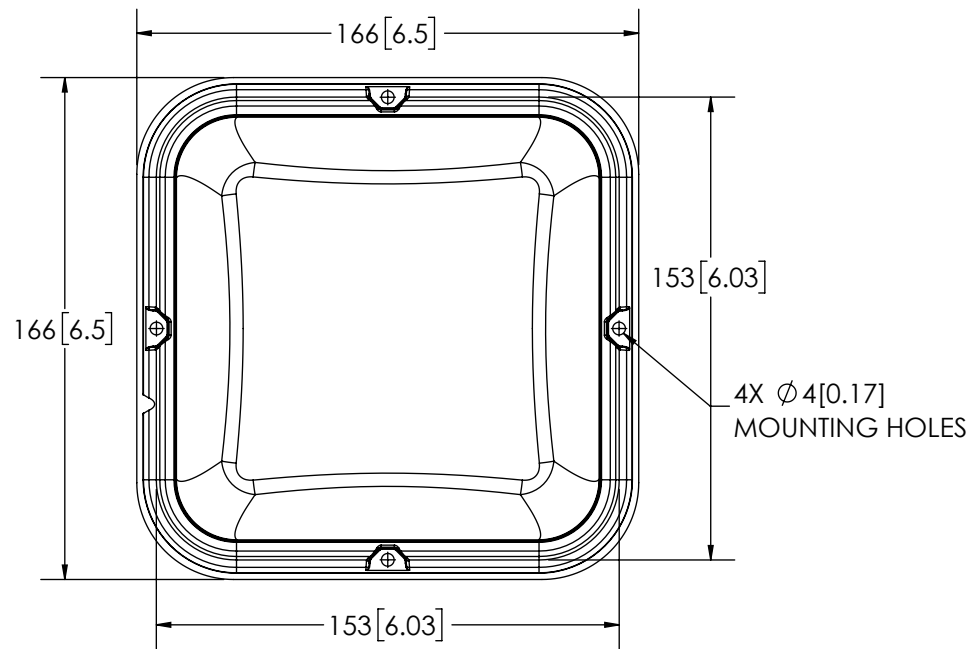
- CERTIFICATIONS:** ECE R10; R65, IP55
 Note: Unique components, accessories, and hardware kits are not typically Included in the Product Certification Test Protocols. Unless otherwise Specified, the Product Certifications referred to herein are predicated upon the base product model configuration.
- FLASH MODE:** Single: 125 ± 5 FLASHES PER MINUTE
 DOUBLE : 125 ± 5 FLASHES PER MINUTE
 QUAD : 125 ± 5 FLASHES PER MINUTE
 ROTATE: 125 ± 5 FLASHES PER MINUTE
- VOLTAGE (NOMINAL):** 12 to 24 VDC
- VOLTAGE (EXTREME):** 9.0 to 30.0 VDC
- CURRENT (PEAK):** 6.16A (@ 12 VDC NOMINAL)
- POWER (MAXIMUM):** 78.8W (@ 12 VDC NOMINAL)
- TEMPERATURE RANGE:** -22°F (-30°C) TO 122°F (50°C)
- CONNECTION:** 4 to 22 AWG LEAD WIRES
- MOUNTING:** 4 BOLT
- BASE MATERIAL:** ALUMINIUM
- LENS MATERIAL:** POLYCARBONATE
- PRODUCT WEIGHT:** 1.2 Lbs. LBS (0.54 Kg)

FGS PRODUCT CHART

FGS P/N	COLOR	R65
EB7181A	AMBER	CLASS 1
EB7181CA	CLEAR/AMBER	CLASS 1
EB7181B	BLUE	CLASS 1
EB7181CB	CLEAR/BLUE	CLASS 1

DISCLAIMER

DIMENSIONS, ILLUSTRATIONS, SPECIFICATIONS, AND CERTIFICATIONS CONTAINED IN THIS DOCUMENT ARE TYPICAL OF THE ACTUAL PRODUCT AND ARE SUBJECT TO CHANGE. ECCO ENGINEERING DOES NOT MAINTAIN FORMAL DESIGN CONTROL OF THIS PRODUCT



- NOTES:**
- ROHS COMPLIANT
 - DIMENSIONS IN INCHES[MILLIMETERS (FOR REFERENCE)]

SCALE 1:2.5		APPROVALS	DATE
CAD GENERATED DRAWING DO NOT MANUALLY UPDATE. MODEL REFERENCED:A		DRAWN BY	
TOLERANCES ARE IN INCHES, AND MILLIMETERS TOLERANCES UNLESS OTHERWISE STATED ARE:		CHECKED	
MILLIMETERS DECIMALS XX. ± 1.0mm XX.X ± 0.5mm	INCHES DECIMALS X.X ± 0.1 X.XX ± 0.04 X.XXX ± 0.02	MECH. ENG.	
	ANGLES ± 0.5°	ELEC. ENG.	
	FRACTIONS ± 1/64	TEST ENG.	
		SALES	
THIRD ANGLE PROJECTION			
NON DISCLOSURE AGREEMENT		www.eccolink.com Americas (800) 635-5900 Europe +44 (0)113 237 5340 Asia Pacific +61 (0)3 63322444 LED BEACON,SQ,SNGL STACK,X/X,12/24V	
THIS DRAWING AND THE DESIGN IT DISCLOSES ARE THE PRIVATE PROPERTY OF ESG AND IS ISSUED IN CONFIDENCE FOR ENGINEERING INFORMATION ONLY. THE DRAWING AND / OR DESIGN MAY NOT BE USED, COPIED, REPRODUCED, OR OTHERWISE DISCLOSED IN PART OR AS A WHOLE TO OUTSIDERS OR USED FOR ANY OTHER PURPOSE WITHOUT THE PRIOR WRITTEN CONSENT OF ESG. THE DRAWING IS SUBJECT TO RECALL AT ANY TIME. YOUR POSSESSION OF THIS DOCUMENT CONSTITUTES ACCEPTANCE OF THESE TERMS. © 2015 ECCO		CUSTOMER PART NO. SEE CHART	
		PRODUCT SERIES: EB7180	
		SIZE: A	DWG. NO. EB7181XX
		REV. A	
		Electronically Controlled Use Latest Copy SHEET 1 OF 1 Project: LL0080 Date Created: 2016-07-27	