

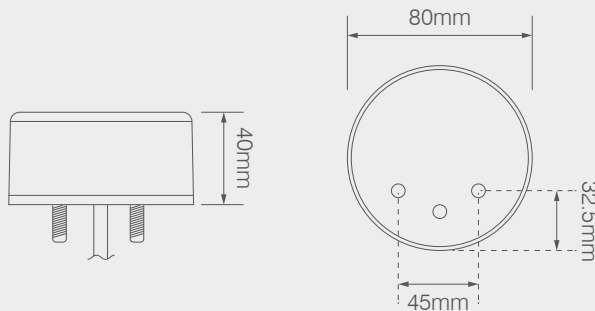
LED DAYTIME RUNNING LAMPS

80AW12 12V

80AW24 24V



Active



FRONT INDICATOR / MARKER / DAYTIME RUNNING LAMP

- Front Indicator Lamp with combined Front Marker function and optional Daytime Running Lamp function

Voltage:	12/24V Multivolt
Dimensions (mm):	Ø80 x 40
Approval:	ECE R6, R7, R10, R87
Ingress Protection:	IP67
Current Draw (13.8 / 28V):	Ind: 0.32A / 0.15A Marker: 0.03A / 0.02A DRL: 0.03A / 0.03A
Warranty:	5 Years

DRLHOTDOG

DAYTIME RUNNING LAMP WIRING COMPONENT

- ⚠ 80AW lamps must be used in combination with DRLHOTDOG for approved use of daytime running lamp function



LEDRL2 Two Lamp Kit



DAYTIME RUNNING LAMP KIT

- Automatically turns on with ignition and off when headlights are activated
- Kit includes two lamps and wiring loom

Voltage:	12/24V Multivolt
Dimensions (mm):	200 x 25 x 20
Approval:	ECE R10, R87
Ingress Protection:	IP67
Current Draw (13.8 / 28V):	0.17A / 0.09A
Warranty:	5 Years

