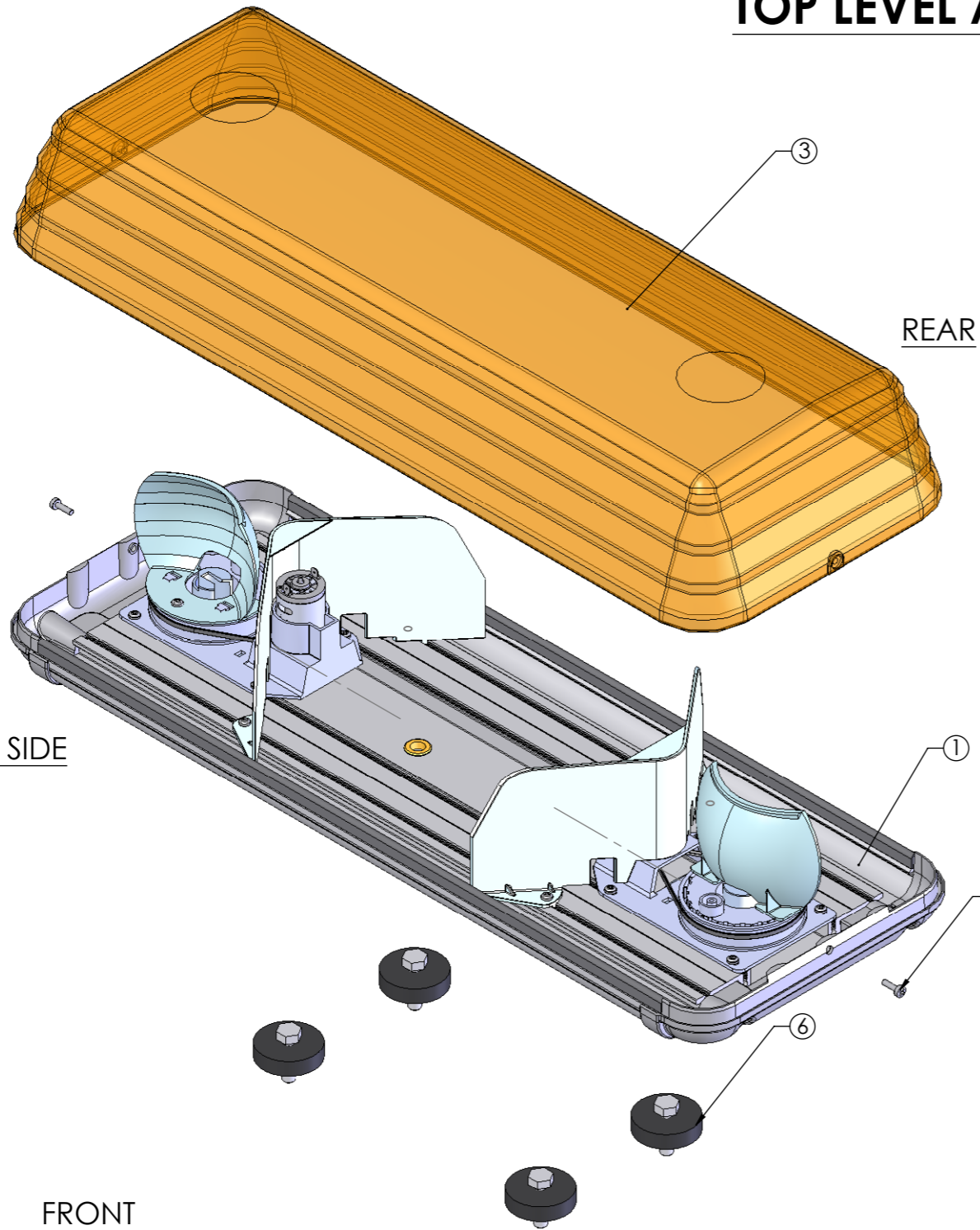


TOP LEVEL ASSEMBLY

REVISION HISTORY		
REV.	DESCRIPTION	DATE
01	PRE PRODUCTION	16-06-03
A	PRODUCTION RELEASE	27-01-04



- NOTES:
1. ENSURE BOTH FIRST AND LAST OFF BARS ARE INSPECTED BY THE LIGHTBAR SUPERVISOR.
 2. FEET KIT TO BE PACKAGED SEPERATELY DO NOT FIT TO BAR

ITEM NO.	QTY.	PART NO.	DESCRIPTION	COMMENTS
1	1	130.1001.01	CHASSIS, 600 SERIES, 570mm, 12V, 130.1001.01	
2	2	928.018	SCREW, M3.5x12mm SEM STAINLESS STEEL PAN	
3	1	910.298	LENS, LIGHTBAR, 600 SERIES, 570mm, AMBER	
4	2	990.170	LABEL, L/BAR, BASE, 60 SER, 'E', ROT, AMBER	
5	2	990.174	LABEL, L/BAR, LENS, 60 SER, 'E', ROT, AMBER	
6	1	999.189	FIXING KIT, L/BAR, SMALL	
7	1	999.638	60 SER, PACKAGING KIT, 31" BOX	

APPROVALS	DATE
DESIGNER: GPH	
CHECKED:	
APPROVED:	

VISION ALERT VISION ALERT AUTOMOTIVE LIMITED
 Victoria Industrial Park, Victoria Road, Seacroft, Leeds LS14 2LA
 Tel: +44 (0)113 237 5340 Fax: +44 (0)113 237 5360
 Email: sales@visionalert.co.uk

LIGHTBAR, 600 SERIES, 570mm, 12V

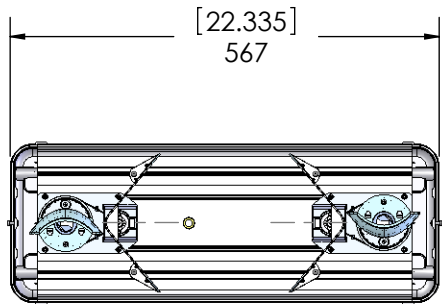
Project:	Date Created:
SIZE: A3	PART NO.: 600.AA01.AAAA
ECCO PART NO.:	REV.: A
SCALE: 1:3.5	SHEET 1 OF 2

NON DISCLOSURE AGREEMENT
 THIS DRAWING AND THE DESIGN IT DISCLOSES ARE THE PRIVATE PROPERTY OF VISION ALERT AND IS ISSUED IN CONFIDENCE FOR ENGINEERING INFORMATION ONLY. THE DRAWING AND / OR DESIGN MAY NOT BE USED, COPIED, REPRODUCED, OR OTHERWISE DISCLOSED IN PART OR AS A WHOLE TO OUTSIDERS OR USED FOR ANY OTHER PURPOSE WITHOUT THE PRIOR WRITTEN CONSENT OF VISION ALERT. THE DRAWING IS SUBJECT TO RECALL AT ANY TIME. YOUR POSSESSION OF THIS DOCUMENT CONSTITUTES ACCEPTANCE OF THESE TERMS. © 2005 VISION ALERT

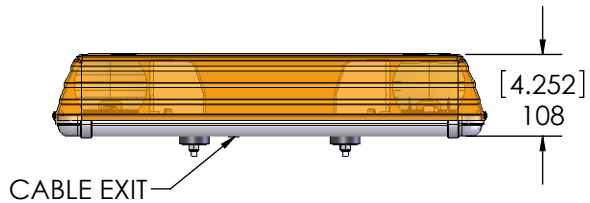
CUSTOMER COPY

SPECIFICATIONS

- CERTIFICATIONS:
EC 95/54 'e' APPROVED
REG 65 'E' APPROVED
- TEMPERATURE RANGE -30°C TO 50°C
- MOUNTING: SMALL FIXING KIT
- BASE MATERIAL: ALUMINIUM
- LENS MATERIAL: POLYCARBONATE
- WEIGHT: 3 KG APPROX
- TOTAL CURRENT CONSUMPTION: 9.2 AMPS APPROX
- DISTANCE BETWEEN FIXING KIT FEET IS ADJUSTABLE
ALONG LENGTH OF EXTRUSION. DISTANCE BETWEEN
CENTRE OF BOLTS ALONG WIDTH OF EXTRUSION: 100mm
(KIT PACKAGED SEPERATLEY)



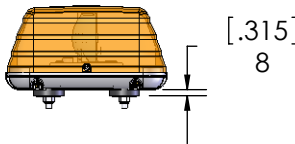
TOP VIEW
(LENSES NOT SHOWN)



FRONT VIEW

LENS COLOURS				
END 1	END/MID 1	CTR/FULL	END/MID 2	END 2
		AMBER		

- NOTES:
1. DIMENSIONS IN MILLIMETERS [INCHES]
2. CABLES AND WIRING NOT SHOWN



END VIEW

Wire Assignment Table			
Colour	Function	Amps	Used
Red	Rotator / Strobe Outer	14.0	✓
Red / Green	Rotator / Strobe Inner	14.0	
Red / Yellow	Rotator / Strobe Center	14.0	
Green	Signplate Illumination	14.0	
Blue	Indicator (Right)	14.0	
Yellow	Indicator (Left)	14.0	
White	Tail Lamp	14.0	
Pink	Stop Lamp	14.0	
Orange	Alternating Flash (Rear)	14.0	
Orange / White	Alternating Flash (Front)	14.0	
Brown	Power Supply Feed (+)	14.0	
Brown / Blue	Power Supply 'E' App - A	14.0	
Brown / White	Power Supply 'E' App - B	14.0	
Black / Red	Multiwave Lamps	14.0	
Purple	Work / Spot Lamp	14.0	
Black / Blue	Alley Lamp (Right)	14.0	
Black / Yellow	Alley Lamp (Left)	14.0	
Blue / Red	Driving Lamp (Main Beam)	14.0	
Blue / White	Driving Lamp (Dip Beam)	14.0	
Grey	Speaker (+)	14.0	
Grey / Black	Speaker (-)	14.0	
Light Green	Running Lights	14.0	
Yellow / Green	Directional Strobes (Front)	14.0	
Yellow / Blue	Directional Strobes (Rear)	14.0	
Blue / Yellow	Message Master (+)	14.0	
Black	Common / Earth / Ground	29.0	✓



VISION ALERT AUTOMOTIVE LIMITED
Victoria Industrial Park, Victoria Road, Seacroft, Leeds LS14 2LA
Tel: +44 (0)113 237 5340 Fax: +44 (0)113 237 5360
Email: sales@visionalert.co.uk

LIGHTBAR, 600 SERIES, 570mm, 12V

Project:		Date Created:	
SIZE A4	PART NO. 600.AA01.AAAA	ECCO PART NO.	REV. A
SCALE 1:10			SHEET 1 of 1

NON DISCLOSURE AGREEMENT

THIS DRAWING AND THE DESIGN IT DISCLOSES ARE THE PRIVATE PROPERTY OF VISION ALERT AND IS ISSUED IN CONFIDENCE FOR ENGINEERING INFORMATION ONLY. THE DRAWING AND / OR DESIGN MAY NOT BE USED, COPIED, REPRODUCED, OR OTHERWISE DISCLOSED IN PART OR AS A WHOLE TO OUTSIDERS OR USED FOR ANY OTHER PURPOSE WITHOUT THE PRIOR WRITTEN CONSENT OF VISION ALERT. THE DRAWING IS SUBJECT TO RECALL AT ANY TIME. YOUR POSSESSION OF THIS DOCUMENT CONSTITUTES ACCEPTANCE OF THESE TERMS. © 2003 VISION ALERT