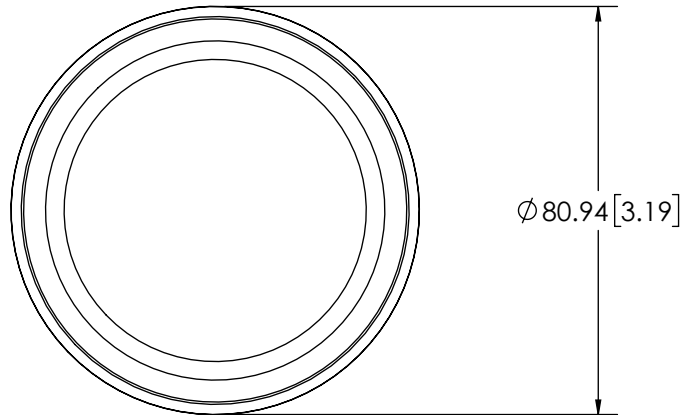
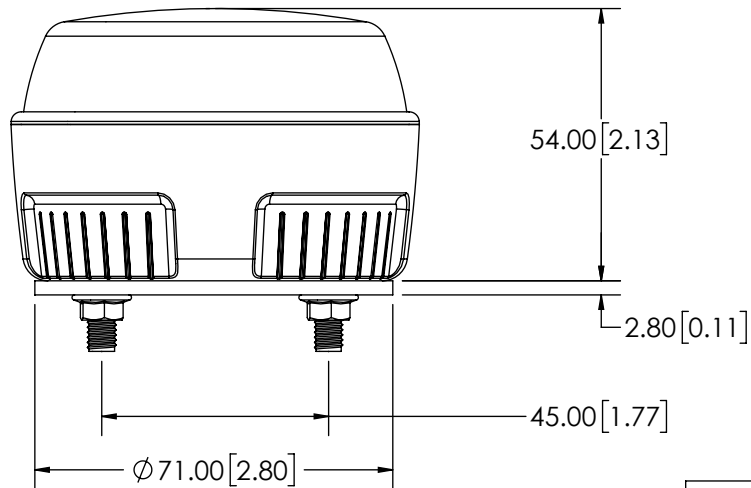


REVISION HISTORY		
REV.	DESCRIPTION	DATE
A	PRODUCTION RELEASE AS PER P3#11003	14-12-2011
B	REVISE PER LC0188	2016-05-06



SPECIFICATIONS

1. CERTIFICATIONS; ECE R10 & CE APPROVED
2. FLASH MODE: 60 FPM
3. VOLTAGE (NOMINAL): 10-100 VDC
4. CURRENT (MAXIMUM): 0.19 A
5. CONNECTION: 0.5mm², 16/0.2mm WIRES IN A CABLE
6. MOUNTING: 2 X M5-BOLT THROUGH BASE OF BEACON
7. BASE MATERIAL: POLYCARBONATE
8. LENS MATERIAL: POLYCARBONATE



WIRING KEY AT 12VDC			
COLOUR	COMPONENT	TYP. MAX CURRENT (A)	COMMENT
RED	POSITIVE	0.11	6 FLASHES
YEL	STEADY BURN	0.08	N/A
BLK	GROUND	0.19	N/A

NOTES:

1. CABLES AND WIRING NOT SHOWN
2. DIMENSIONS IN MILLIMETERS [INCHES (FOR REFERENCE)]
3. CABLE LENGTH - 0.5M
4. USE SUB ASSEMBLY (100-30000260) FOR MANUFACTURE

SCALE 1:1.5		APPROVALS	DATE
CAD GENERATED DRAWING DO NOT MANUALLY UPDATE. MODEL REFERENCED: A		DRAWN BY: LSH	2015-10-19
TOLERANCES ARE IN INCHES, AND MILLIMETERS TOLERANCES UNLESS OTHERWISE STATED ARE:		CHECKED	
MILLIMETERS DECIMALS XX. ± 1.0mm XX.X ± 0.5mm	INCHES DECIMALS X.X ± 0.1 X.XX ± 0.04 X.XXX ± 0.02	MECH. ENG.	
		ELEC. ENG.	
		TEST ENG.	
		SALES	
THIRD ANGLE PROJECTION			
Electronically Controlled Use Latest Copy		www.eccolink.com Americas (800) 635-5900 Europe +44 (0)113 237 5340 Asia Pacific +61 (0)3 63322444 BEACON, LP, LED, MV, AMBER CUSTOMER PART NO. 30000260 PRODUCT SERIES: LP SERIES SIZE: A4 DWG. NO. 30000260 REV. B Project: P3#11003 Date Created: 14-12-2011	

NON DISCLOSURE AGREEMENT

THIS DRAWING AND THE DESIGN IT DISCLOSES ARE THE PRIVATE PROPERTY OF ESG AND IS ISSUED IN CONFIDENCE FOR ENGINEERING INFORMATION ONLY. THE DRAWING AND / OR DESIGN MAY NOT BE USED, COPIED, REPRODUCED, OR OTHERWISE DISCLOSED IN PART OR AS A WHOLE TO OUTSIDERS OR USED FOR ANY OTHER PURPOSE WITHOUT THE PRIOR WRITTEN CONSENT OF ESG. THE DRAWING IS SUBJECT TO RECALL AT ANY TIME. YOUR POSSESSION OF THIS DOCUMENT CONSTITUTES ACCEPTANCE OF THESE TERMS. © 2015 ECCO