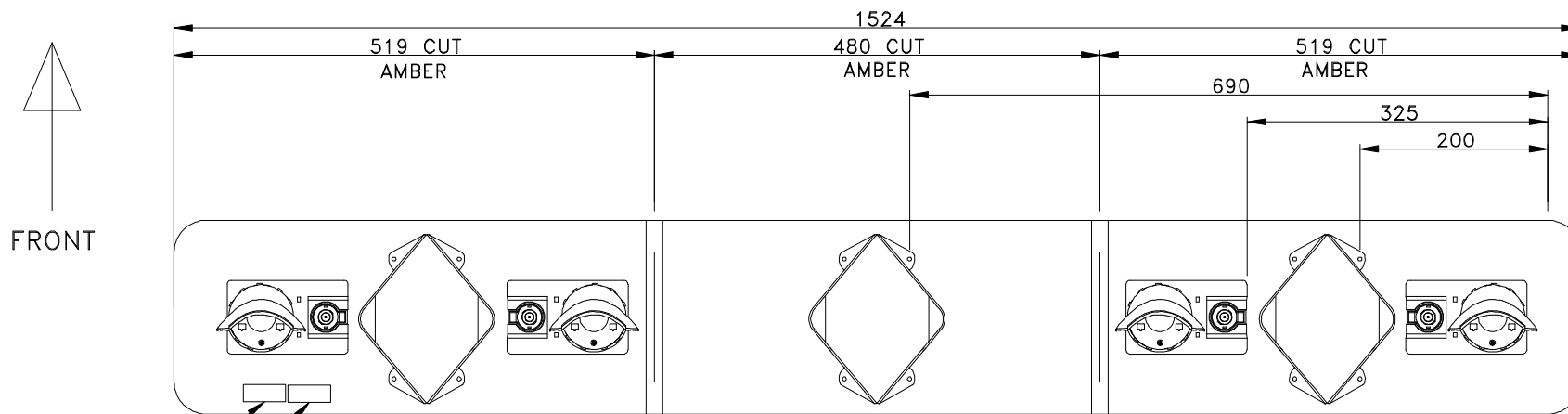
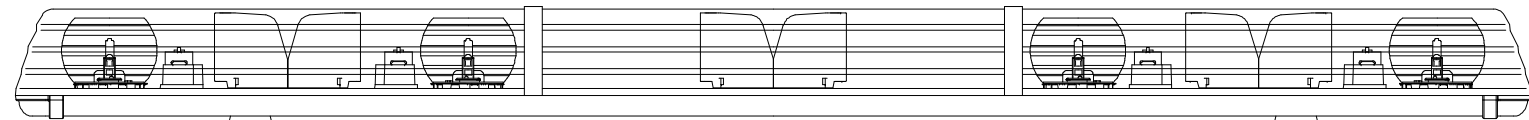


ISSUE	DESCRIPTION	DATE
A	REVISION BOX ADDED AS PER CR VA0032	09-12-03
B	UPDATED AS PER VA CR 1687	08-10-14
-	-	-
-	-	-
-	-	-



625.0A02.AAAA
H1 24v-70w
BATCH No

AMBER BAFFLE 2 PLACES



FIXING KIT LARGE (999.190)

3Mtr FREE LENGTH

RED ROTATING MODULES (OUTER)
RED ROTATING MODULES (INNER)
BLACK COMMON EARTH

NO LENS LABEL

VISION ALERT e11034880 BASE LABEL (905-0982-00) 2 PLACES
44(0)113 2375340



© VISION ALERT AUTOMOTIVE LIMITED
Victoria Ind Park, Victoria Road, Seacroft Leeds LS14 2LA
Telephone : 0845 1300155 Fax : 0845 1300255
Email: Sales@visionalert.co.uk

PRODUCTION BUILD PLAN
CHECKED.....S.O..... APPROVED.....C.T.....

DRAWN S. OSBORNE	VOLTAGE 24v
DATE 24-06-00	
PART No. 625.0A02.AAAA	