



**Durite 1080P AHD Fwd Face Camera
Part 0-876-18**



WARNINGS

Before using this unit please read these instructions carefully. Take special care to follow the warnings and safety suggestions listed below. Keep these instructions for future reference.

There are no user-serviceable parts within the unit, refer servicing to qualified service personnel.

PRECAUTIONS

- Please ensure you are familiar and comply with local traffic and driving regulations.
- **Connection** - The camera should only be connected to a Durite cctv system.
- **Heat** - Do not install the camera near heat sources.
- **Mounting** - Ensure the camera is facing the desired direction before fixing the camera base. If fixing to isolated return chassis the camera bracket should be isolated from the vehicle chassis.
- **Service** - The user should not attempt to service these units beyond that described in these instructions. All other servicing should be referred to an authorised service technician.

GENERAL

1/2.7 2M pixel CMOS

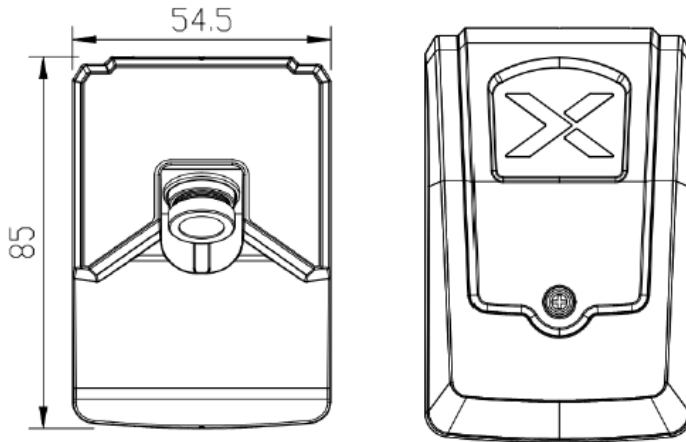
Resolution: 1080p

Minimum illumination: 0.01lux

Electronic shutter (automatic): full color and automatic white balance

Compact design

DIMENSIONAL DRAWING



SPECIFICATION

Technical Parameters	1080p	720p
Model	0-876-18	
Imaging Device	1/2.7" 2M pixel CMOS	1/3" 1.3M pixel CMOS
Resolution	1920H*1080V	1080H*720V
Standard	PAL	
Minimum Illumination	0.01lux	
Synchronization System	Internal synchronization	
Scanning System	Progressive scanning	
Signal-noise Ratio (SNR)	>50dB	
Camera Lens	2.8/4/8mm	
Electronic Shutter	Automatic	
White Balance	Auto-tracking of white balance	
Day and Night Camera	Full color	
Gamma Correction	0.55	
Infrared Distance	No	
Video Output	4PIN aviation connector	
Power Supply	DC12V± 10%	
Power Consumption (maximum)	90mA/DC12V±5%	
Working Temperature	-40°C ~ 70°C	

Female Screw Plug

