



## 1080p FHD Forward Facing Camera Part 0-876-11



### WARNINGS

Before using this unit please read these instructions carefully. Take special care to follow the warnings and safety suggestions listed below. Keep these instructions for future reference.

There are no user-serviceable parts within the unit, refer servicing to qualified service personnel.

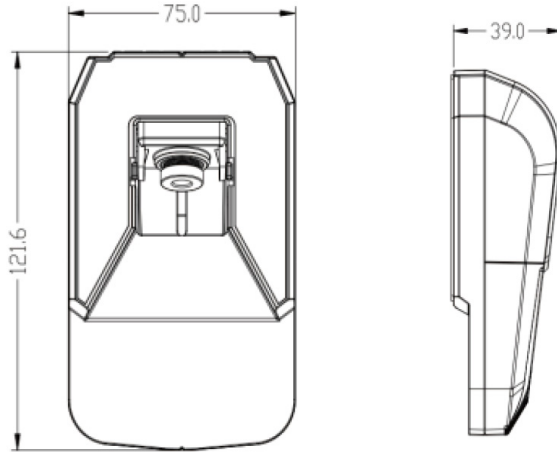
### PRECAUTIONS

- Please ensure you are familiar and comply with local traffic and driving regulations.
- **Connection** - The camera should only be connected to a Durite cctv system.
- **Heat** - Do not install the camera near heat sources.
- **Mounting** - Ensure the camera is facing the desired direction before fixing the camera base. If fixing to isolated return chassis the camera bracket should be isolated from the vehicle chassis.
- **Service** - The user should not attempt to service these units beyond that described in these instructions. All other servicing should be referred to an authorised service technician.

### GENERAL

The camera has a CMOS image sensor which gives a high quality picture and its solid state circuitry provides extremely long life. Compact size and single connection make it easy to install. Automatic gain control (AGC) provides a clear image in both strong sunlight and low light conditions, if lighting conditions fall below a set level the Infra-red LEDs will illuminate. It is recommended that all camera lead connections are additionally sealed by either wrapping with a suitable tape or application of heat shrink sleeving. It is recommended to connect the system and test before fixing to ensure the correct field of view is displayed.

## **DIMENSIONAL DRAWING**



## **SPECIFICATION**

Sensor	2 MP 1/2.8" CMOS
Resolution	1920(H)x1080(V)
Minimum Illumination	0.05Lux(Color Illumination ), F1.2
Electronic Shutter	1/30 Second -1/10000 Second
Wide Dynamic Range	≥80db
Black-light Compensation	Support
S/N	≥48db
Lens	2.6mm,2.8mm, 4mm, M12 Fixed aperture F1.8
FOV(2.8mm)	H°V 96°55'
FOV(4mm)	H°V 73°41'
FOV(8mm)	H°V 36°20'
Video Compression Standard	H.264
Compression Output Rate	512Kbps-8Mbps
Image Resolution	Main Stream:1080P(720P) @ 30fps, Sub Stream1:VGA/WD1/D1/QVGA/CIF @30FPS Net transmission stream: dynamic (adjustable)
CBR/VBR	Support
Audio Compression Standard	ADPCM, G.711A, G.711U, G.726
Audio Input	Built-in car-level audio pickup
Network port	10M/100M adaptive Ethernet port
Network Protocol	TCP/IP, HTTP, DHCP, RTSP, NTP, FTP
N9M	Support
ONVIF	Support
Client Preview	Built-in WEB server; Support IE browser
Installation features	Stick to the front windshield(Grass slope is 19°to 90°)
Temperature	-40°C + 70°C
Power Supply	DC 12V(PON)
Power Consumption	<2.5w
Dimension (mm)	121.6mm(L)*75mm(W)*39mm(H)

